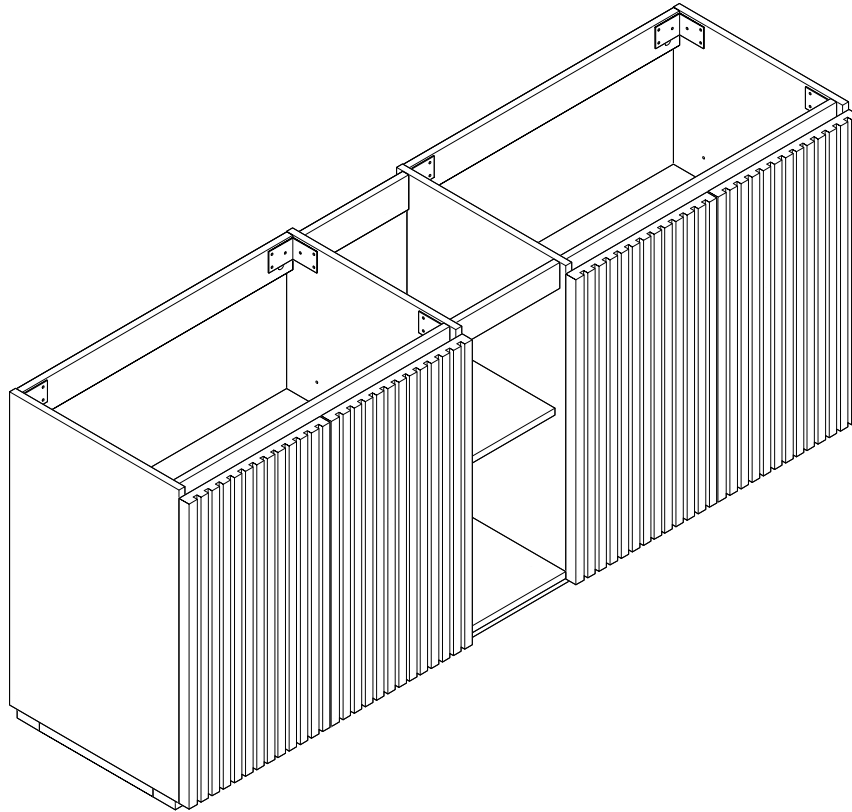


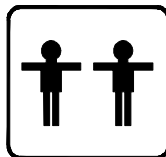
# Bathroom Vanity Assembly Guide



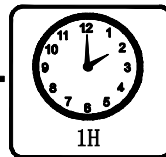
Thank you for selecting our quality product. Prior to assembly, carefully inspect all packing materials for any loose parts. Separate and count all components, comparing them to the parts list provided.

## Reminder

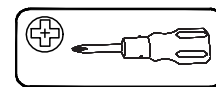
Refrain from tightening screws until assembly is complete. This ensures proper alignment and avoids any complications.



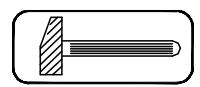
+



## Tools Required



Included



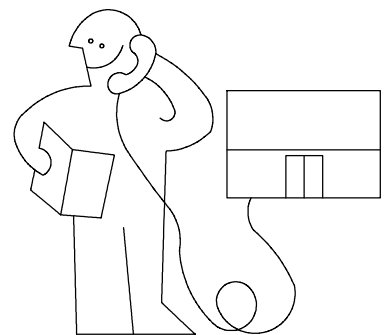
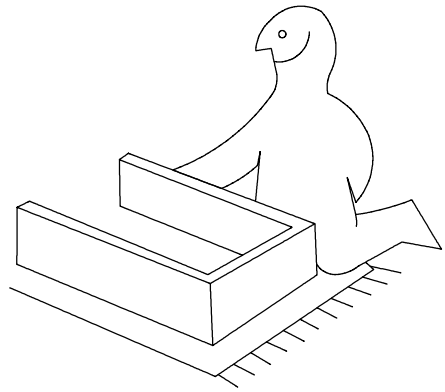
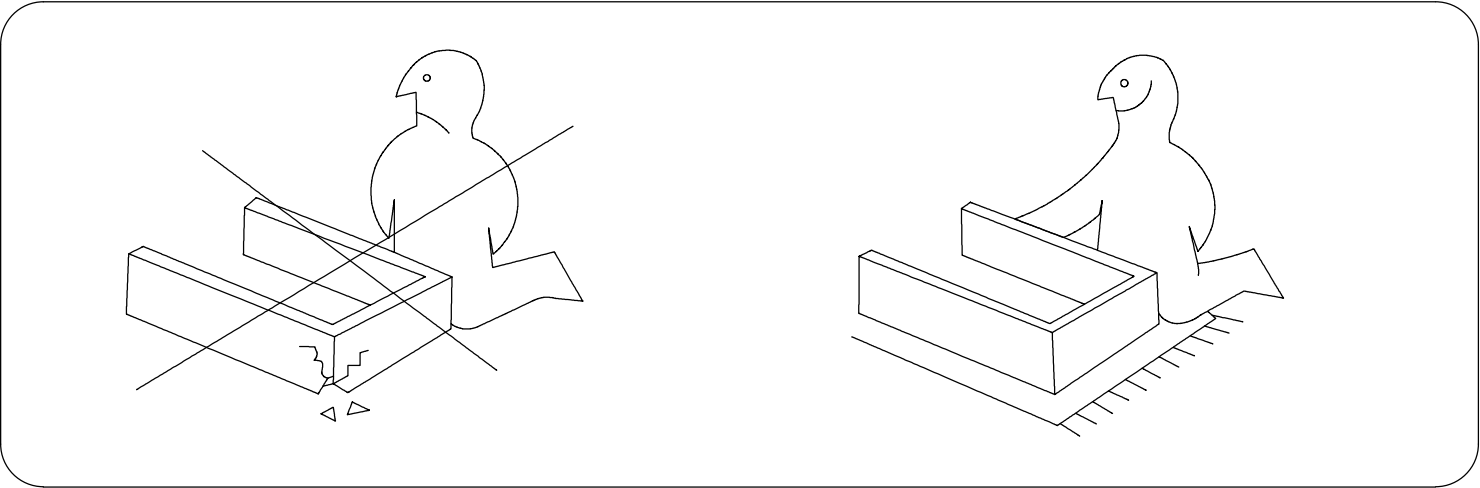
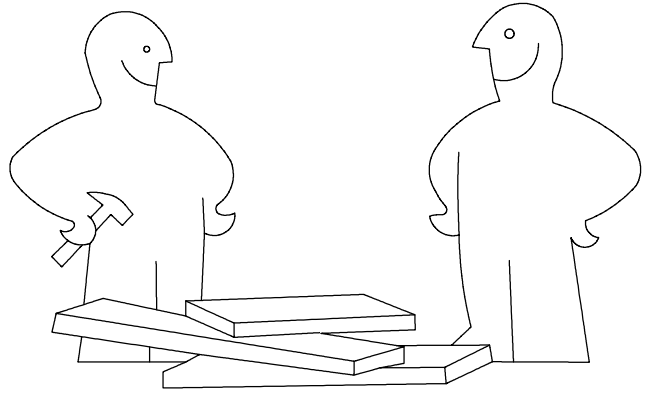
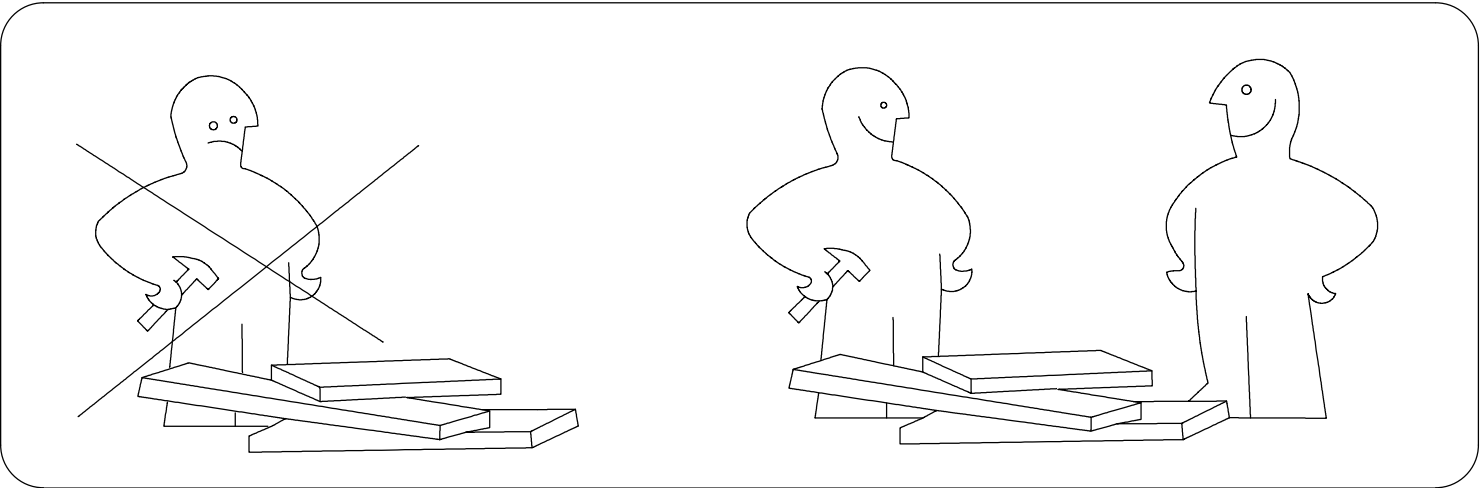
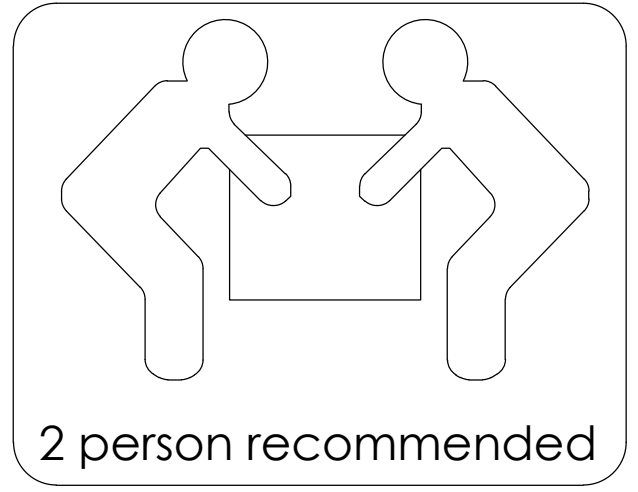
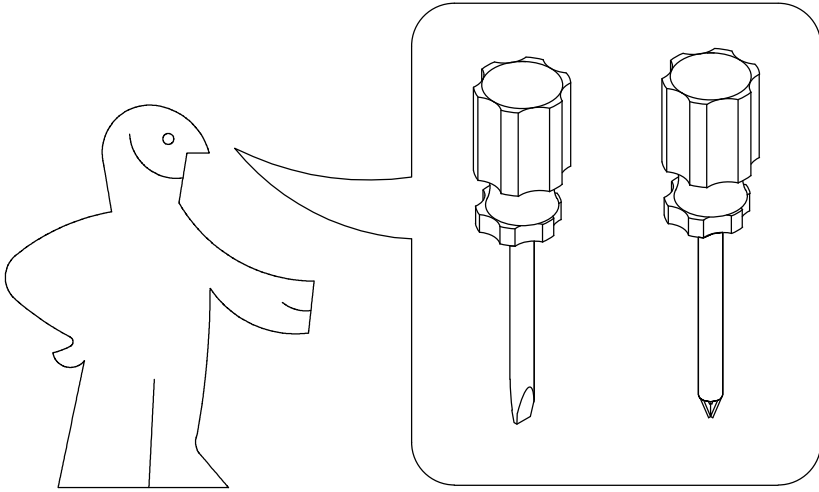
Not Included

**IMPORTANT:**  
**PLEASE READ INSTRUCTIONS BEFORE STARTING THE ASSEMBLY.**

Thank you for choosing our products. Please review the installation manual carefully before assembly, following the step-by-step instructions for accessories and hardware. Our detailed guidance ensures a smooth assembly process.

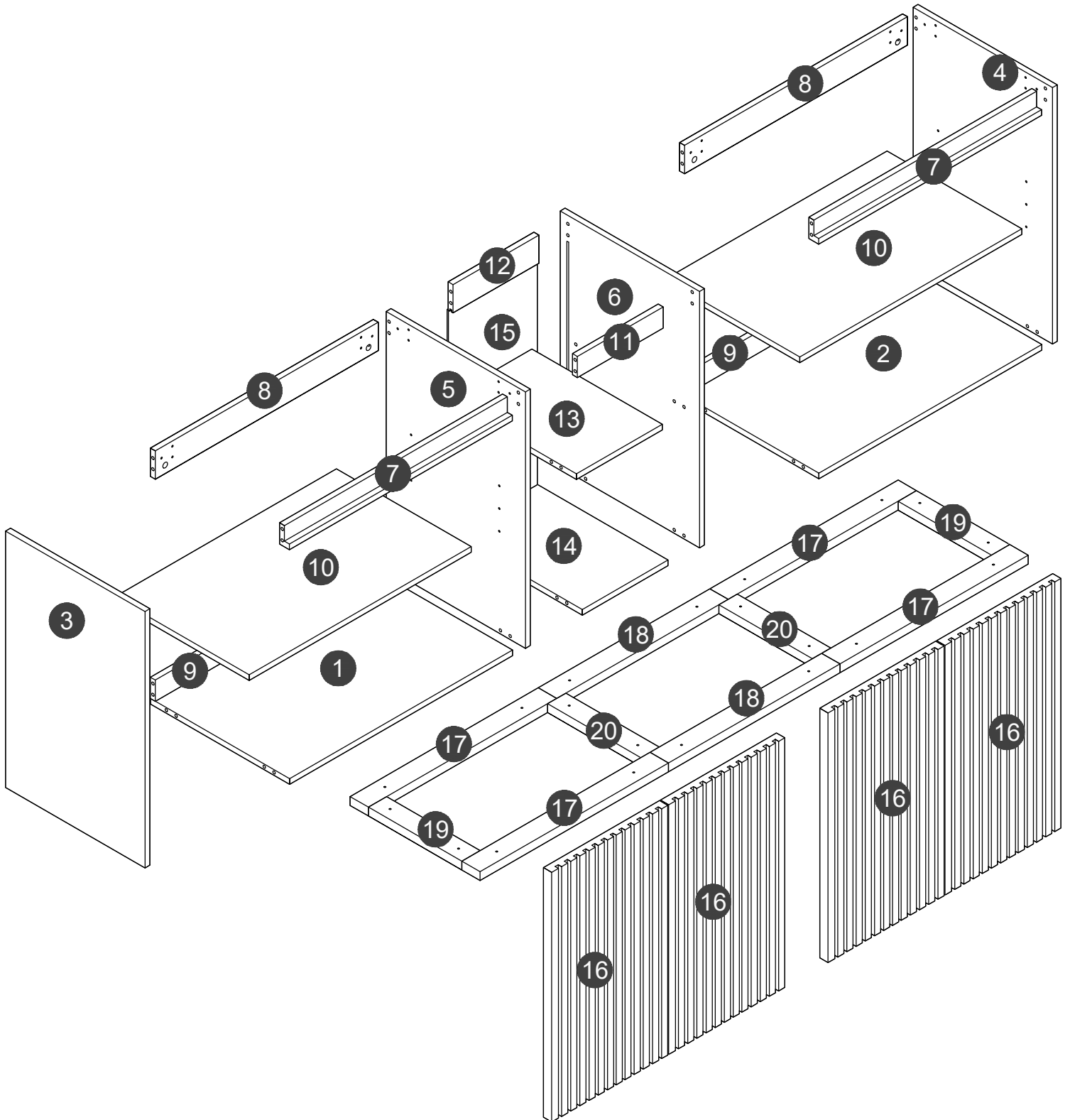
Our products are environmentally friendly. To maintain their quality, avoid submerging them in water, placing heavy items on them, or applying excessive force. If you encounter any issues, please contact us for assistance.

We appreciate your purchase. Thank you.



Panel No	Panel Sizes	Quantity
1	728*454*16	1
2	728*454*16	1
3	725*455*16	1
4	725*455*16	1
5	725*455*16	1
6	725*455*16	1
7	728*60*32	2
8	728*80*16	2
9	728*60*16	2
10	725*440*16	2

Panel No	Panel Sizes	Quantity
11	280*60*16	1
12	280*80*16	1
13	280*426*16	1
14	280*454*16	1
15	638*290*5	1
16	706*379*25	4
17	615*60*25	4
18	560*60*25	2
19	305*60*25	2
20	305*60*25	2

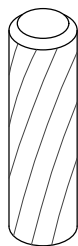


# Fittings



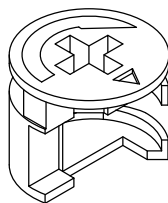
M6\*40mm

A=32



Φ8\*30mm

B=36



Φ15\*12mm

C=32



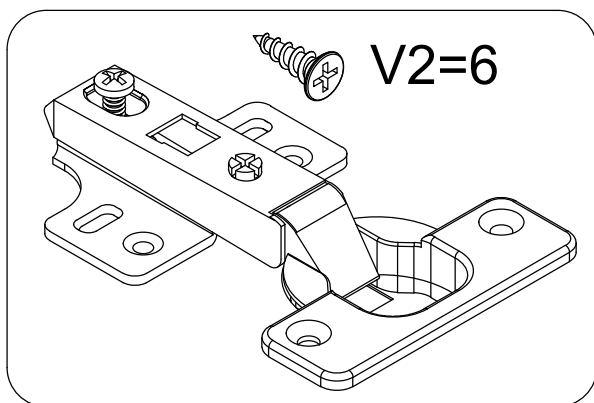
Φ21mm

D=32

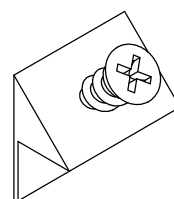


M4mm

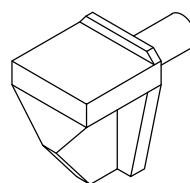
H=1



I1=8

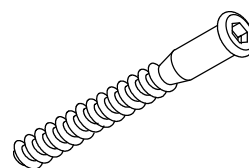


E=6



Φ5mm

L=8



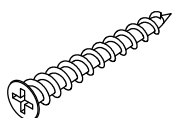
Φ7\*50mm

Q=4



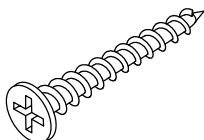
M4\*16mm

V3=40



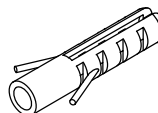
M4\*40mm

V4=20



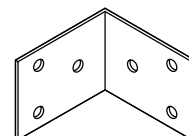
M5\*70mm

V5=8



Φ8\*50mm

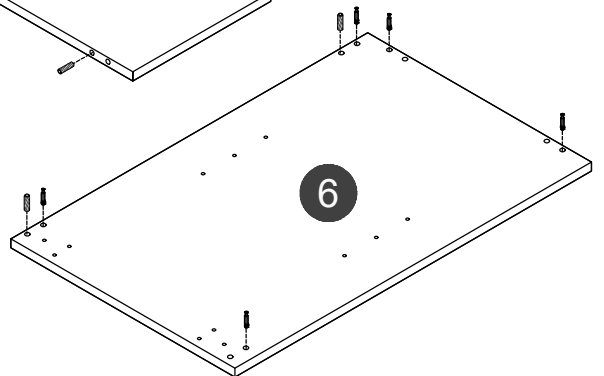
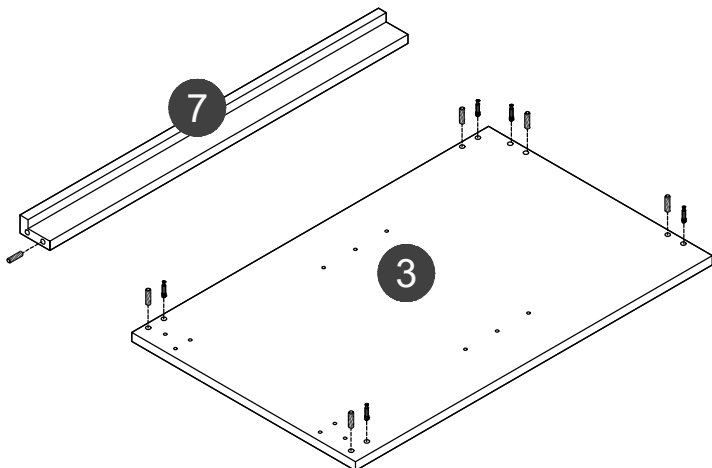
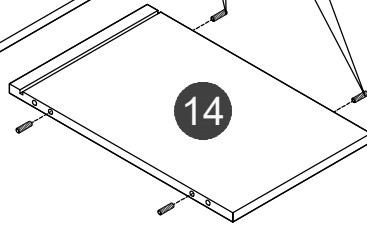
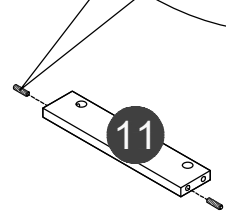
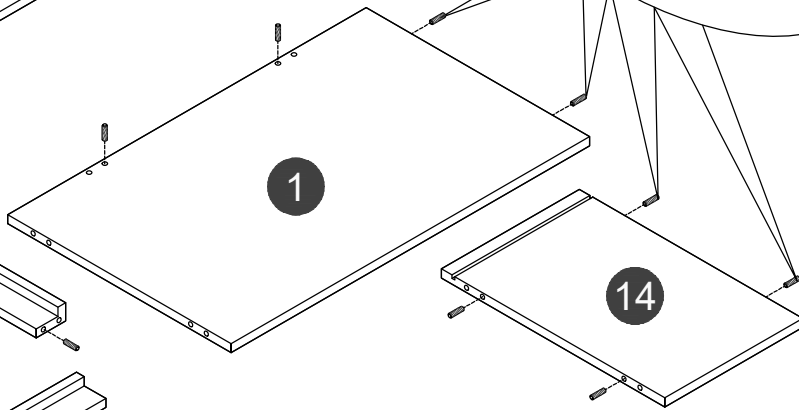
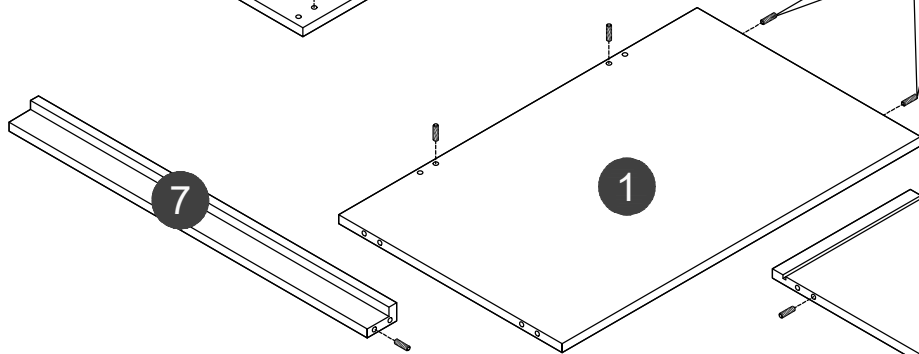
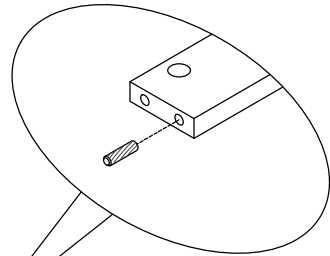
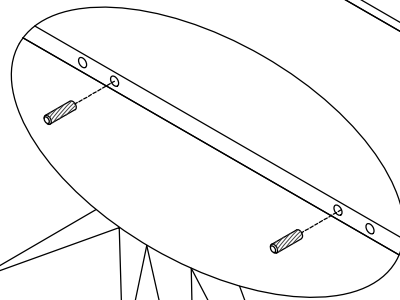
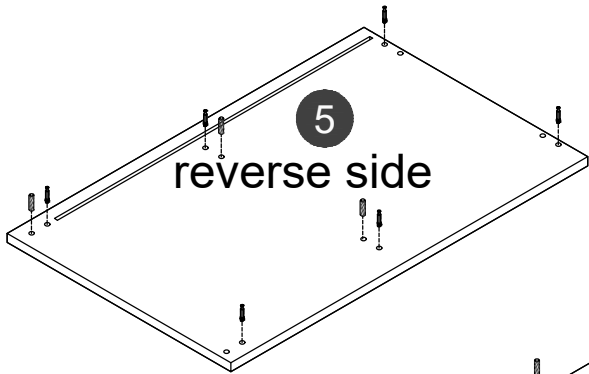
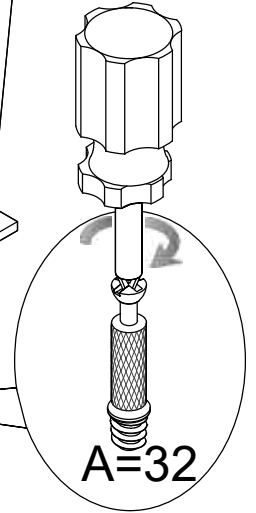
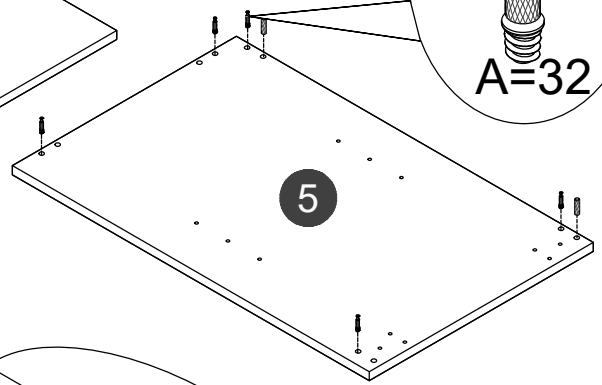
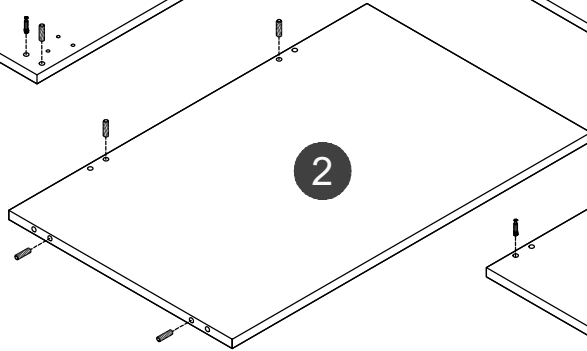
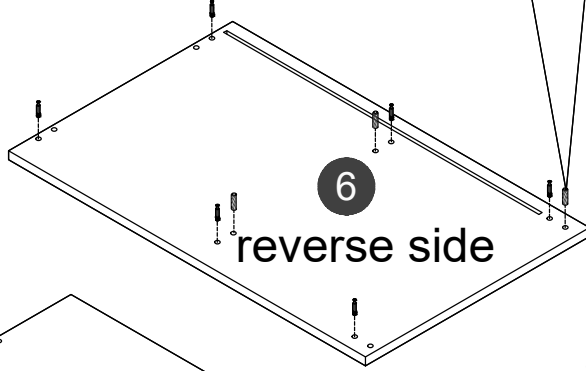
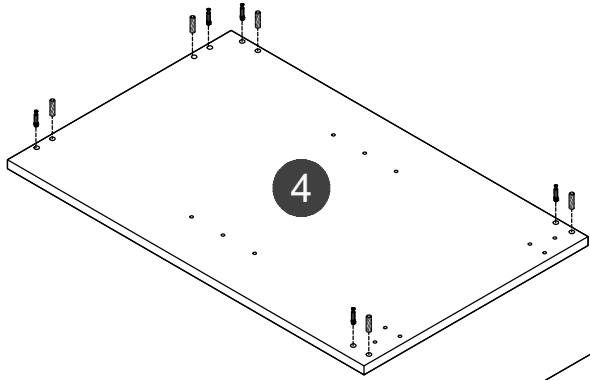
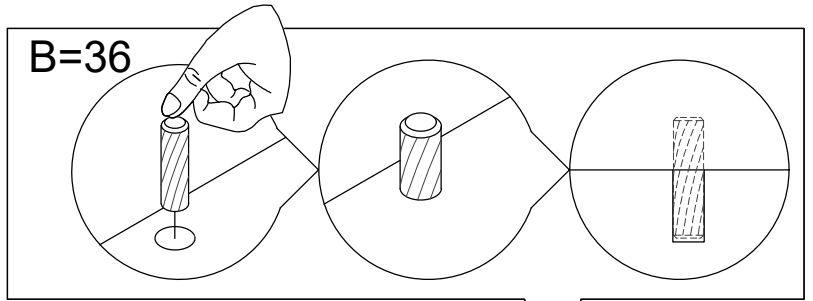
W=8



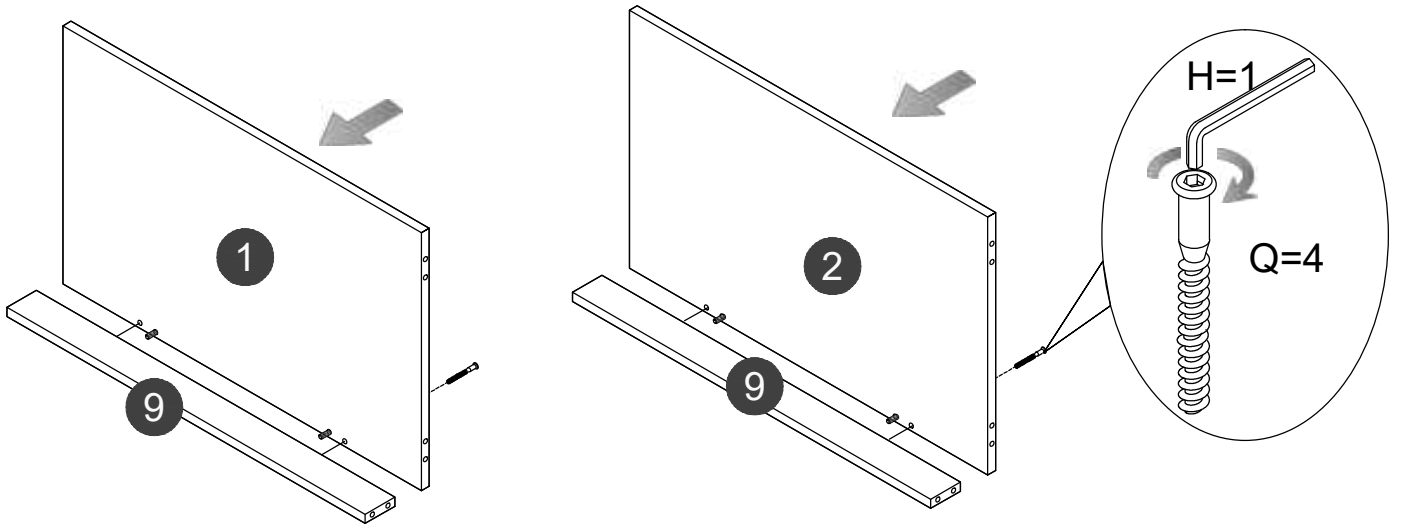
66\*66\*2mm

Y=8

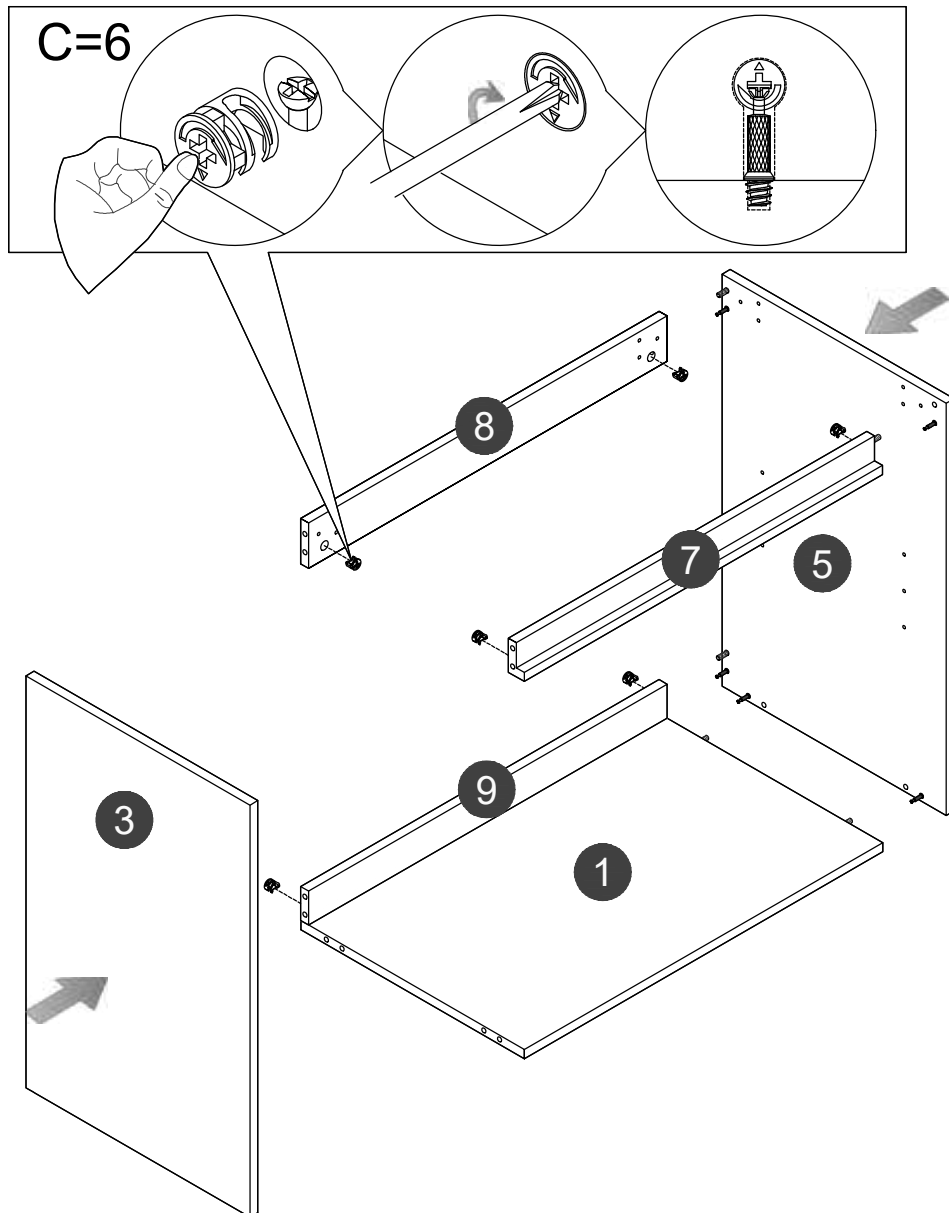
# STEP 1



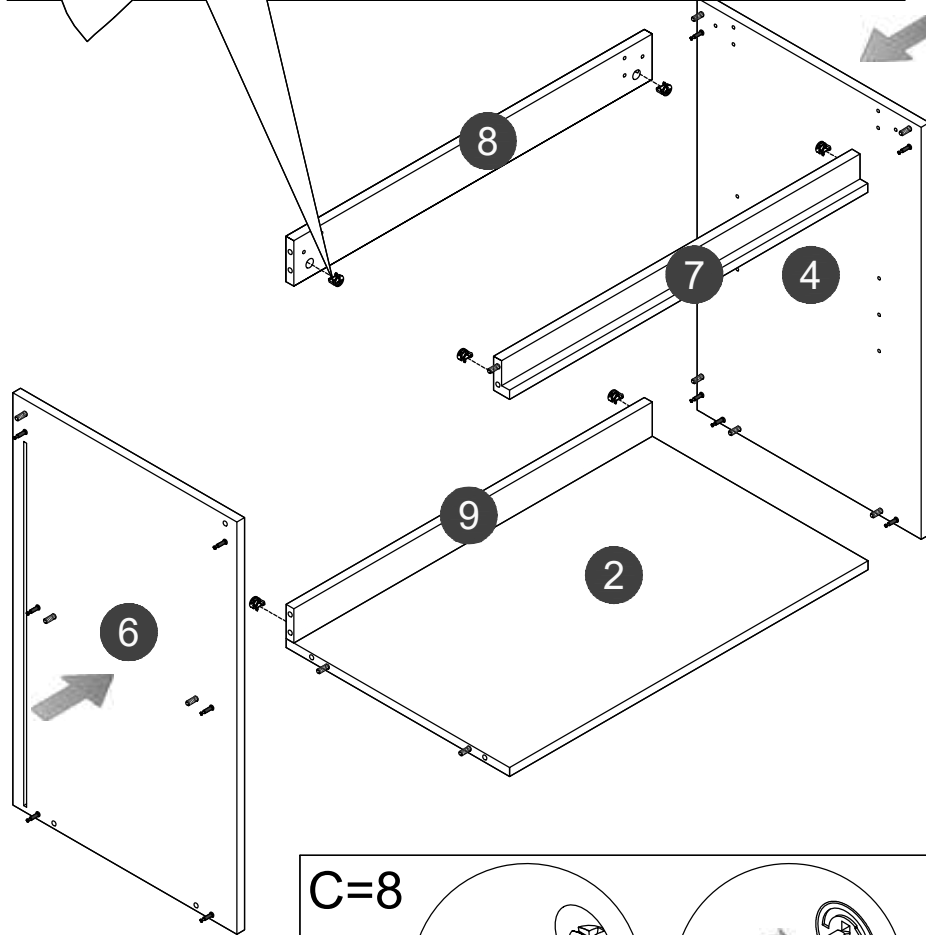
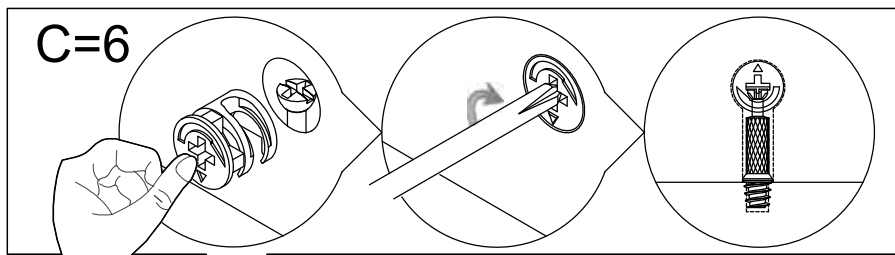
# STEP 2



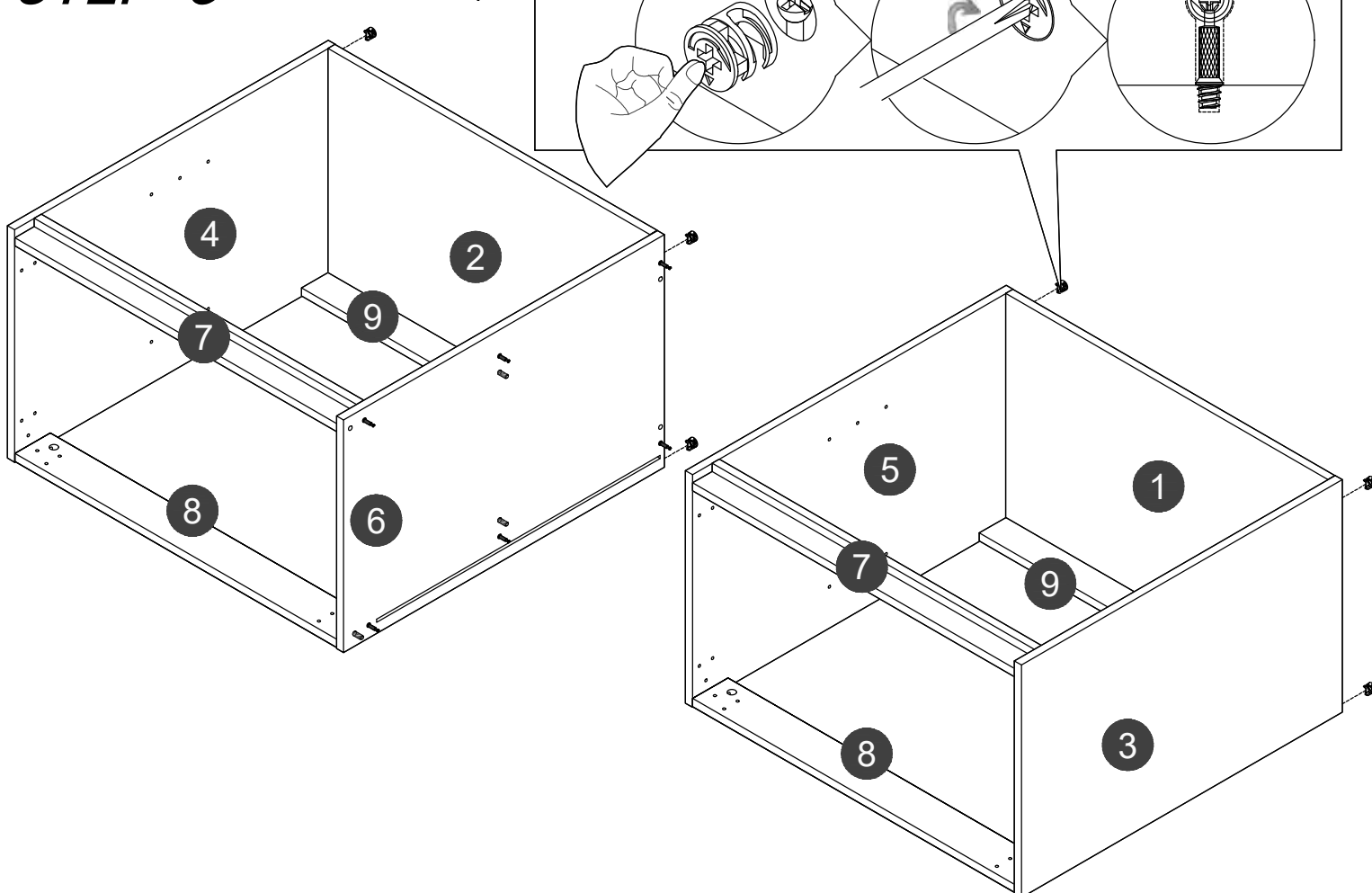
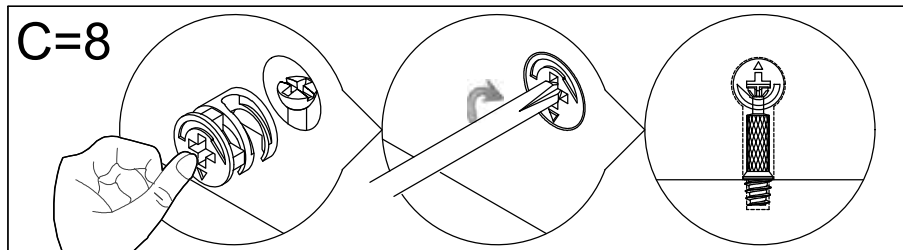
# STEP 3



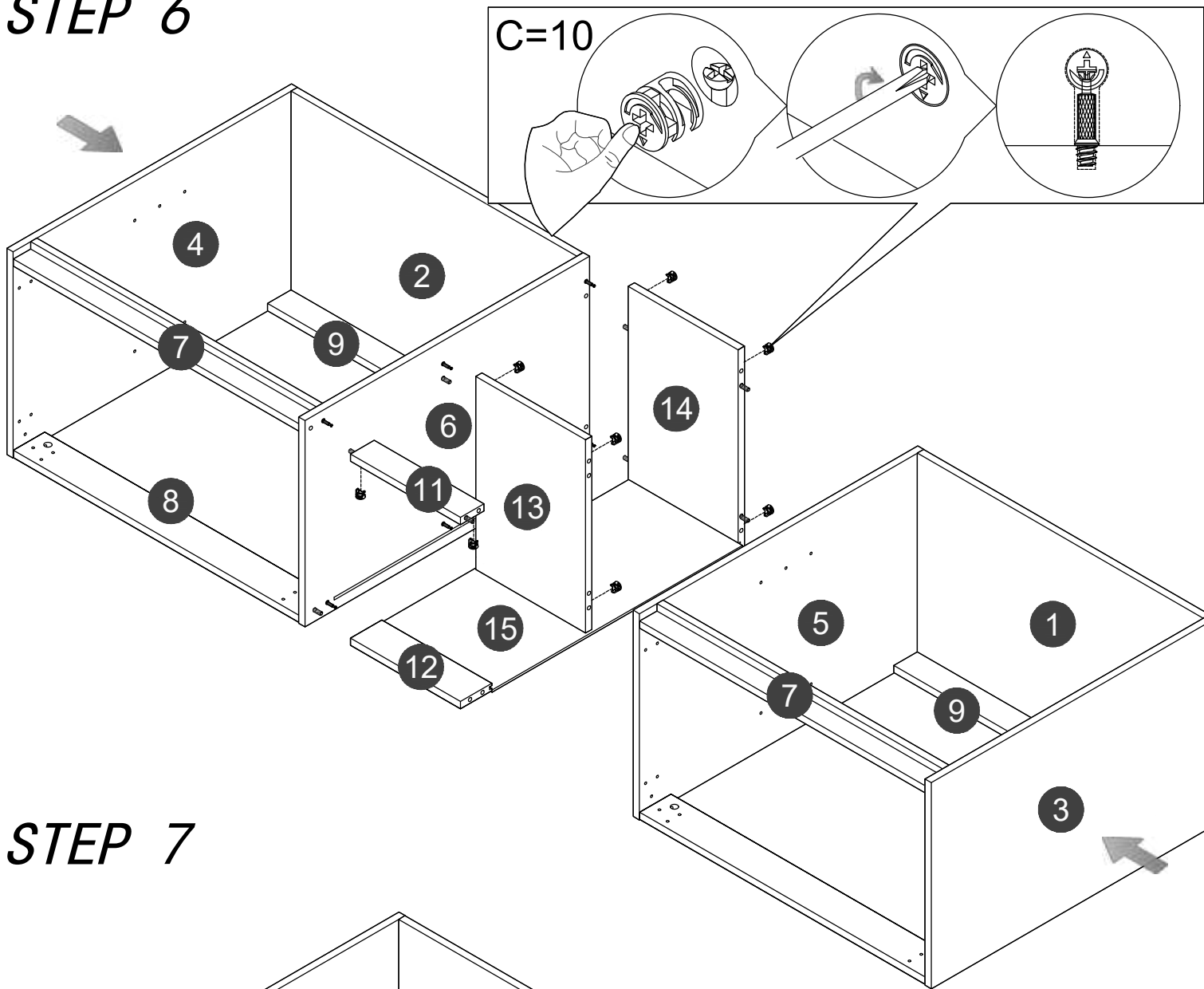
# STEP 4



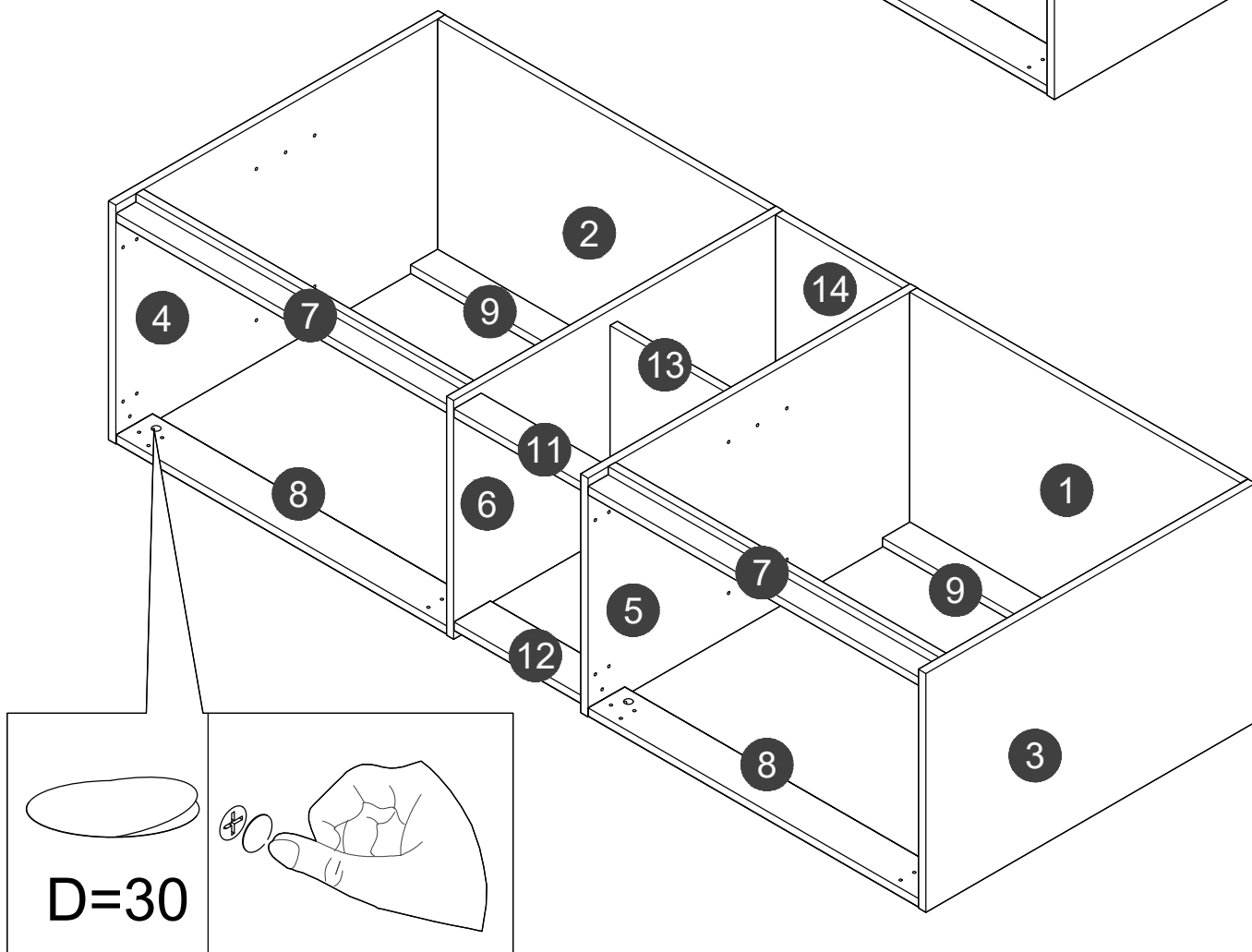
# STEP 5



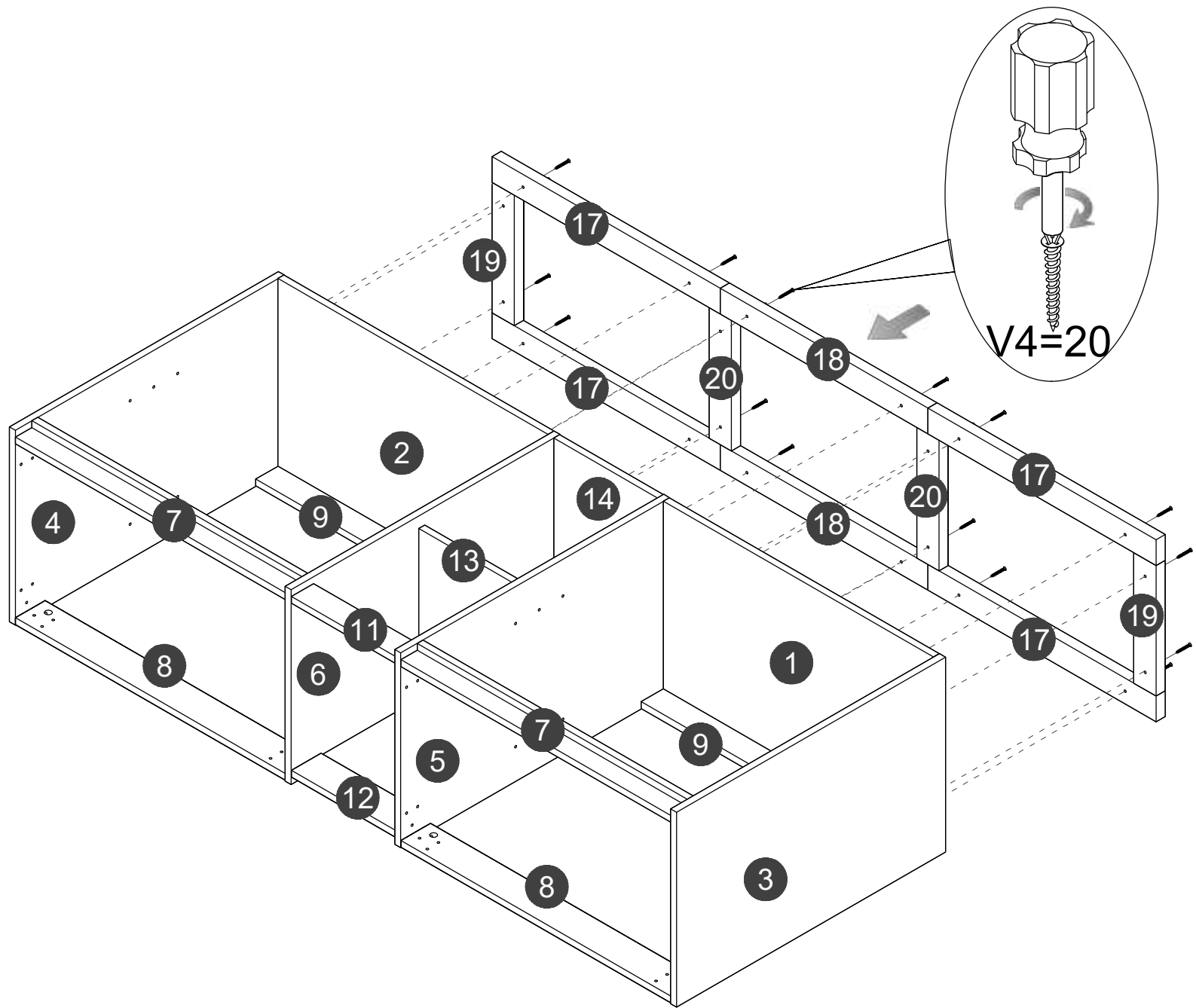
# STEP 6



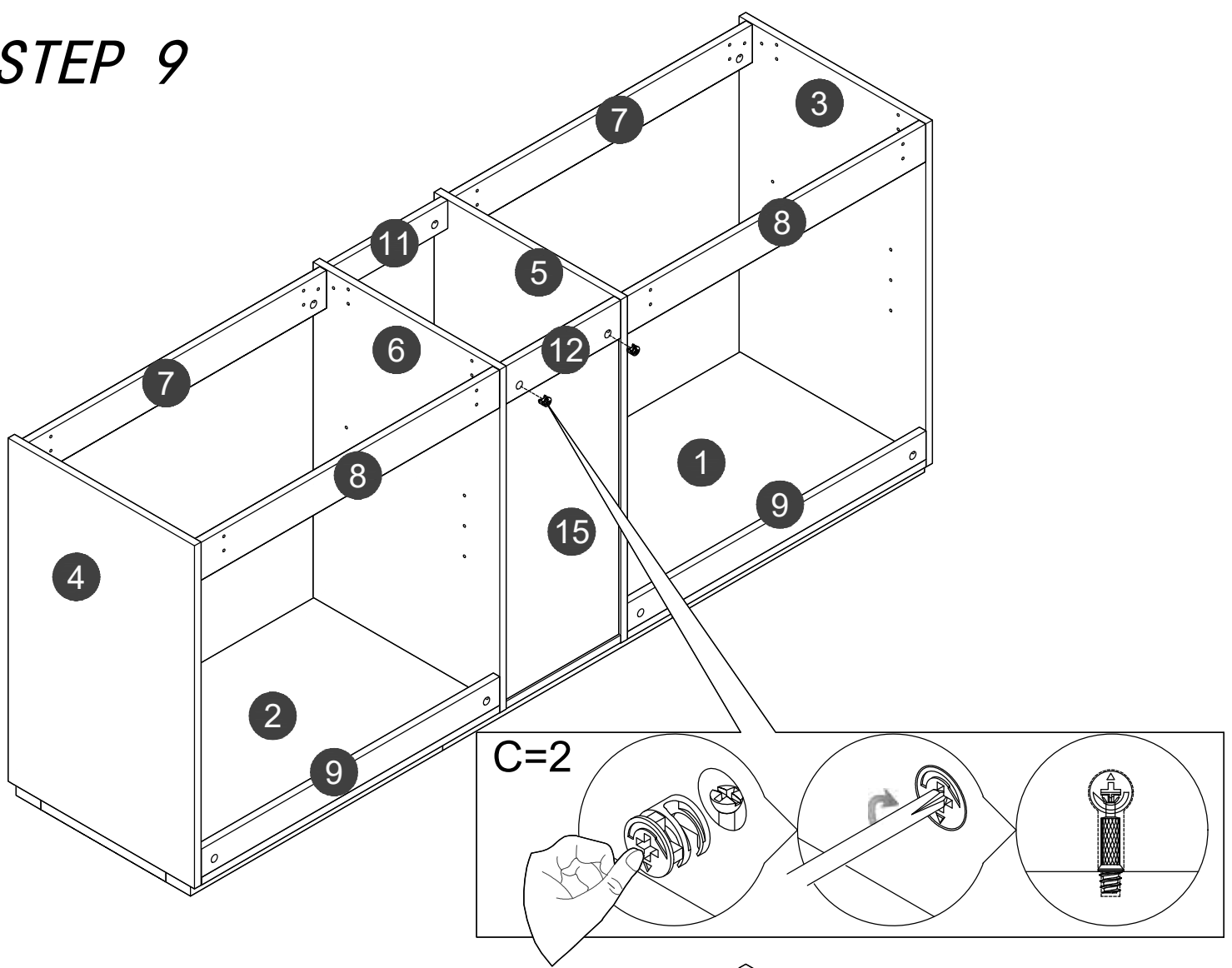
# STEP 7



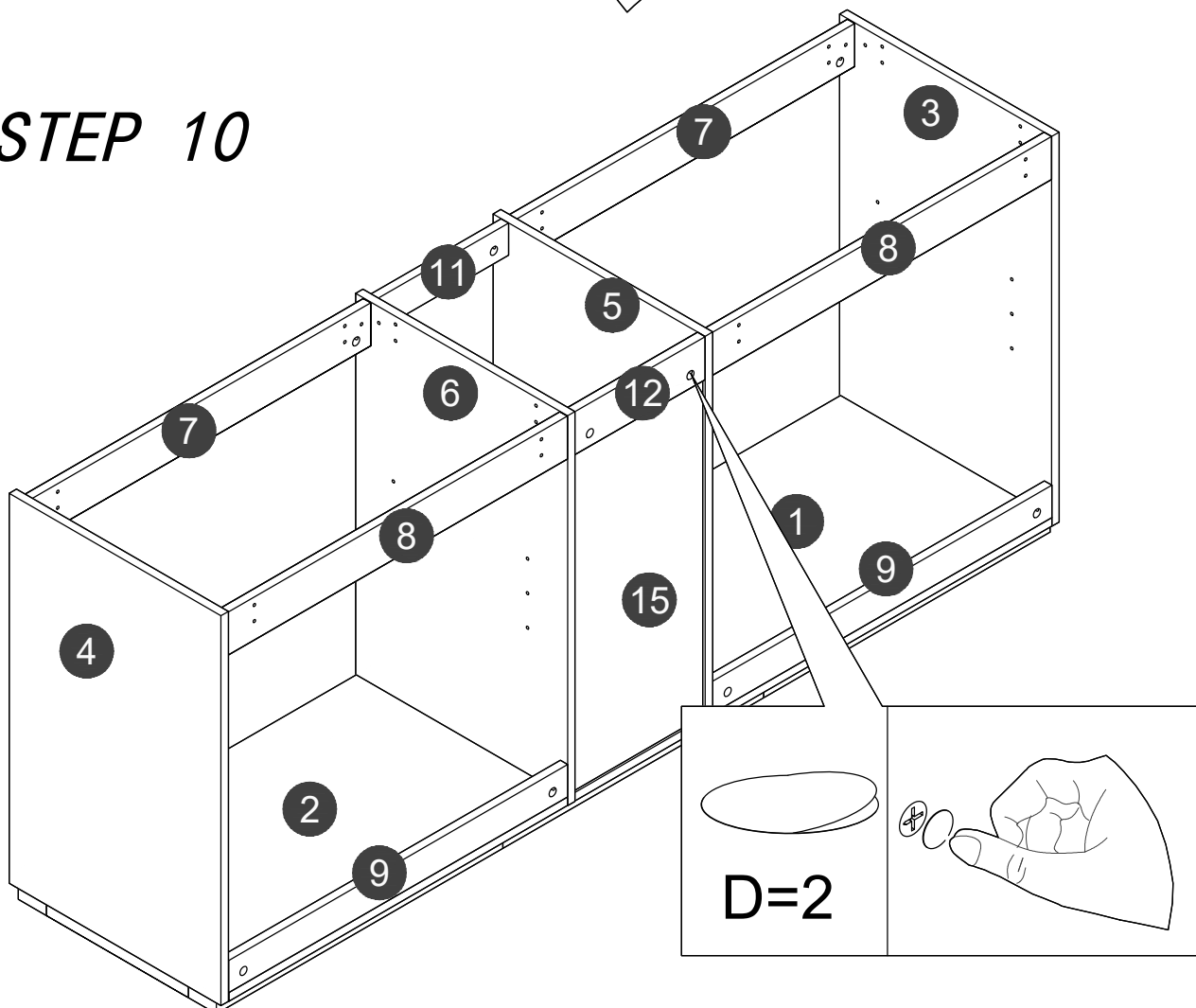
# STEP 8



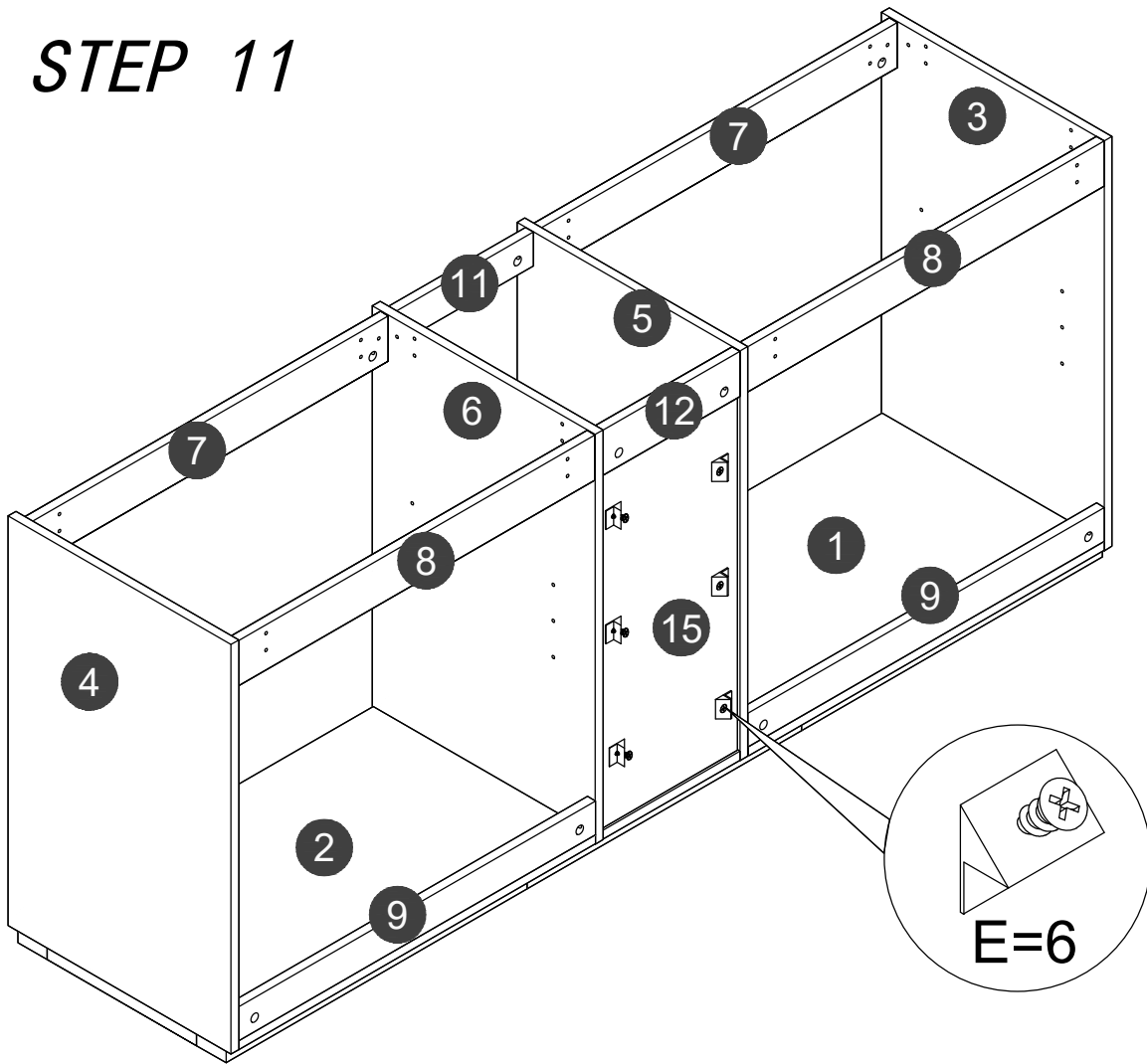
# STEP 9



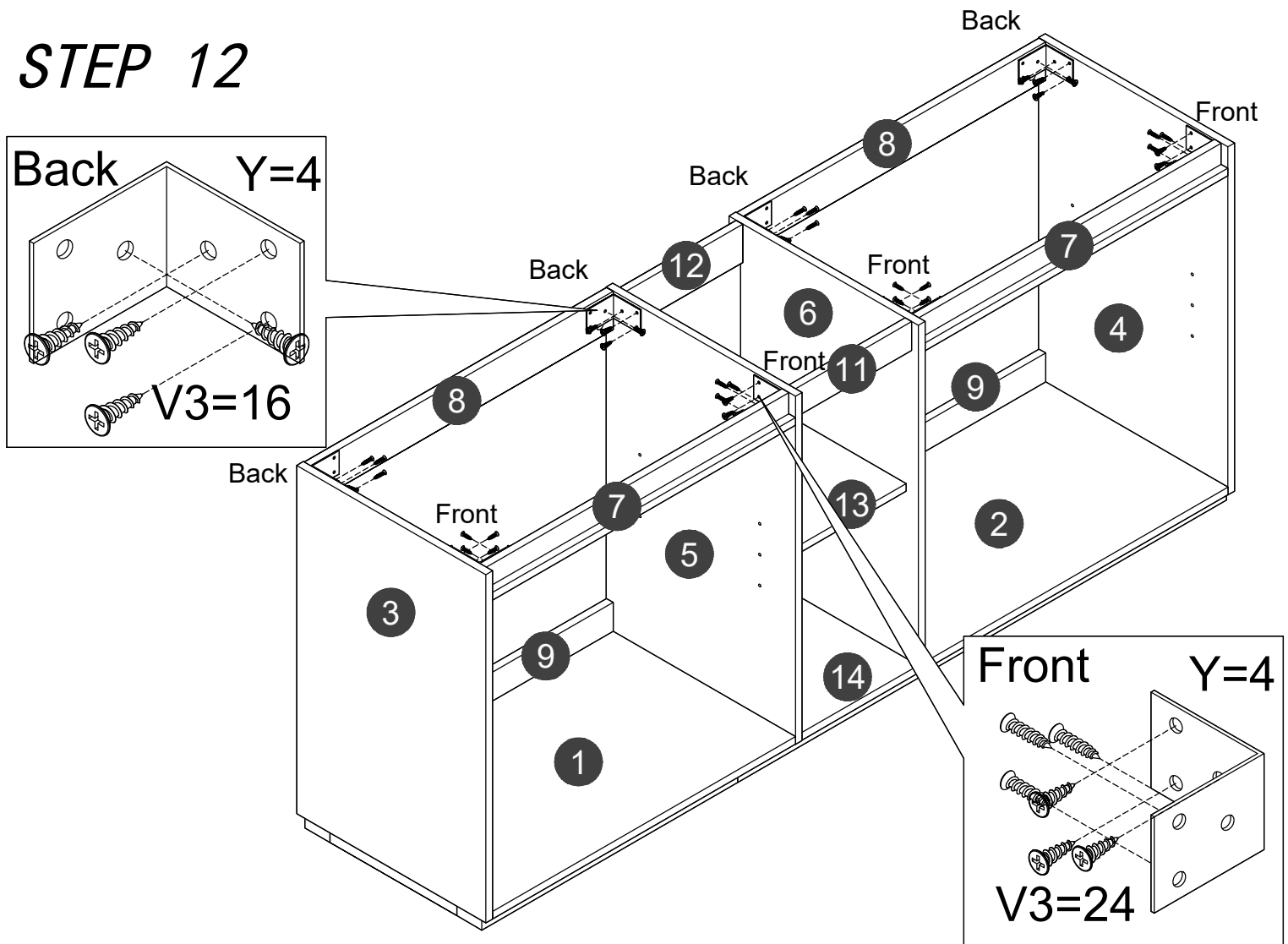
# STEP 10



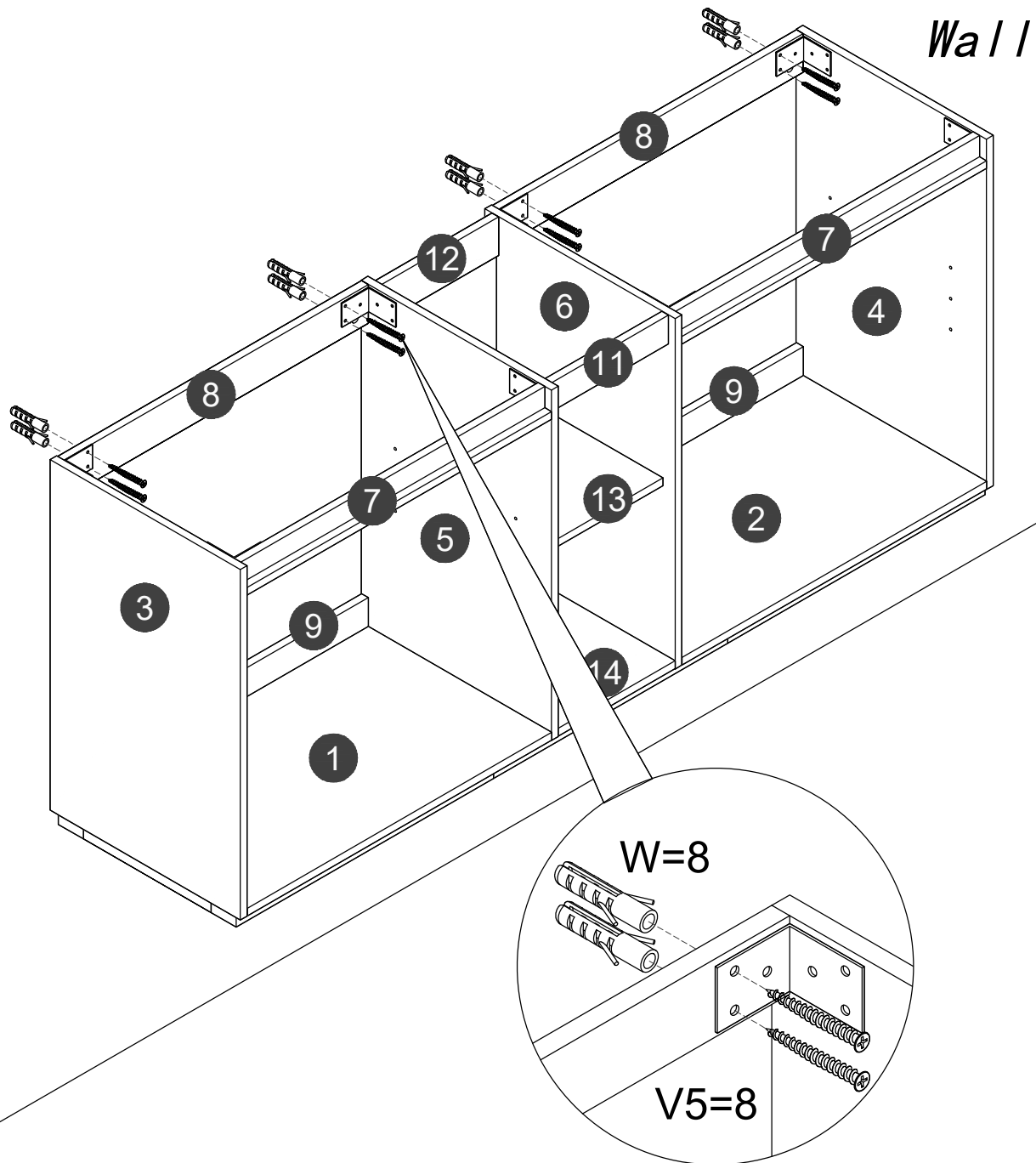
# STEP 11



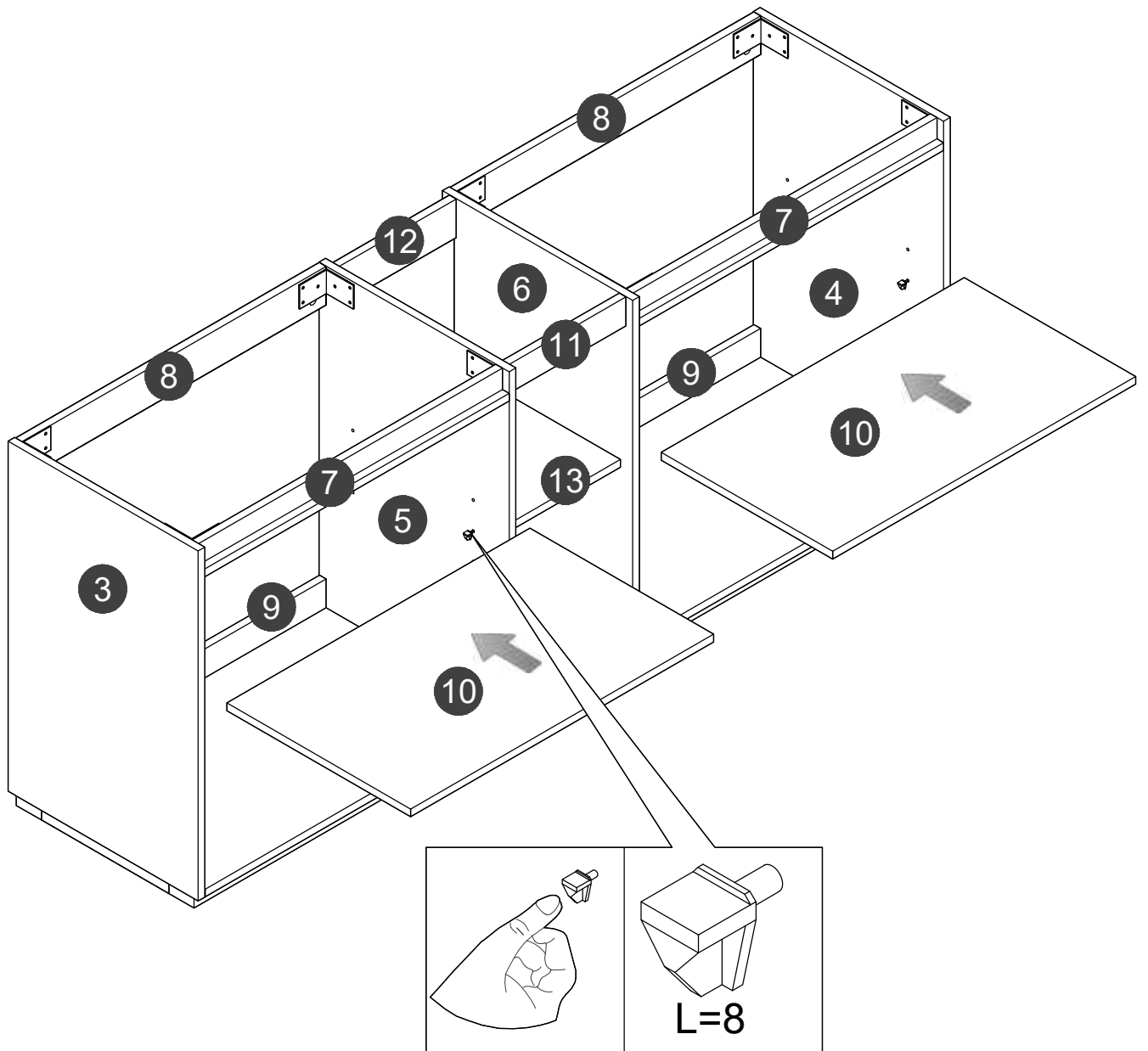
# STEP 12



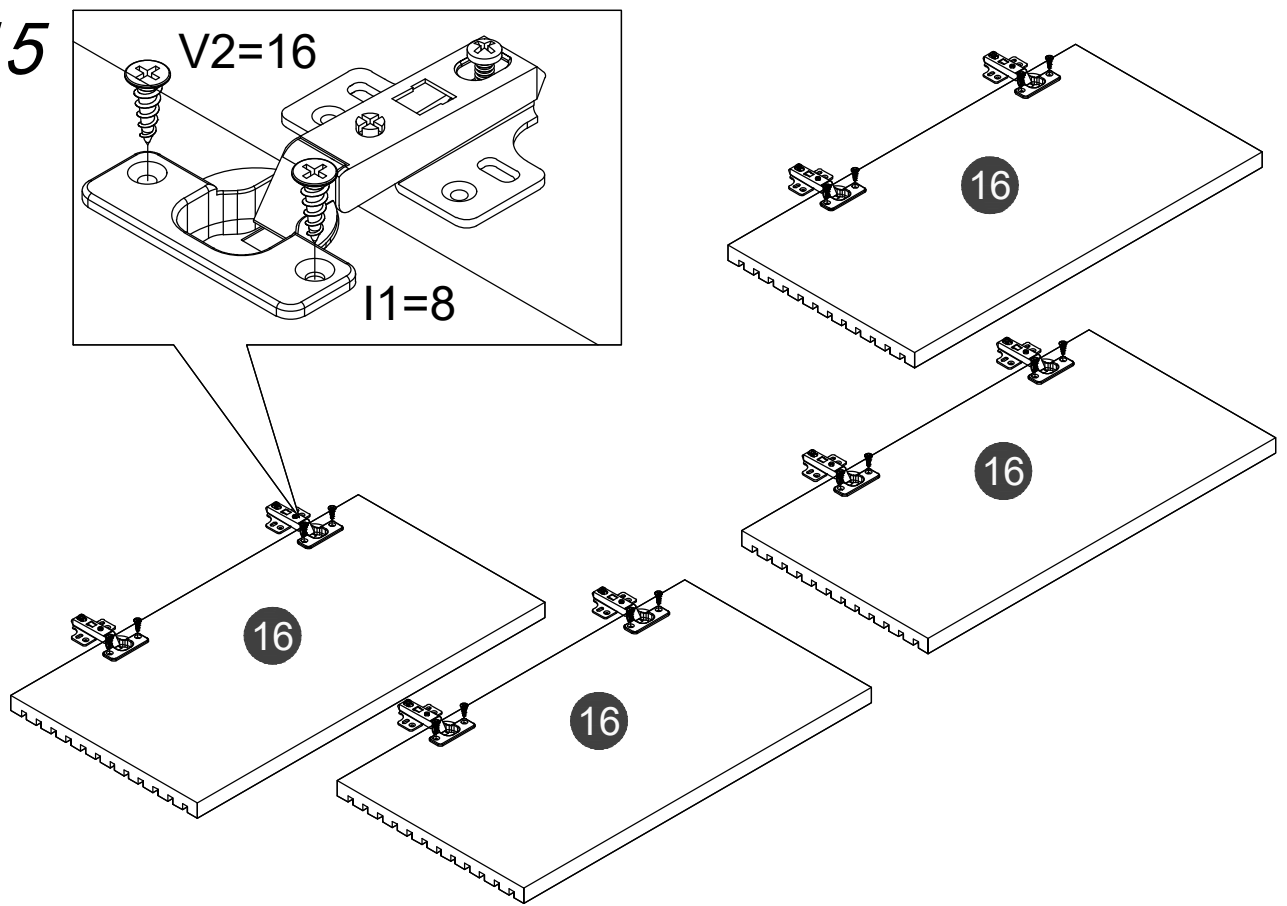
# STEP 13



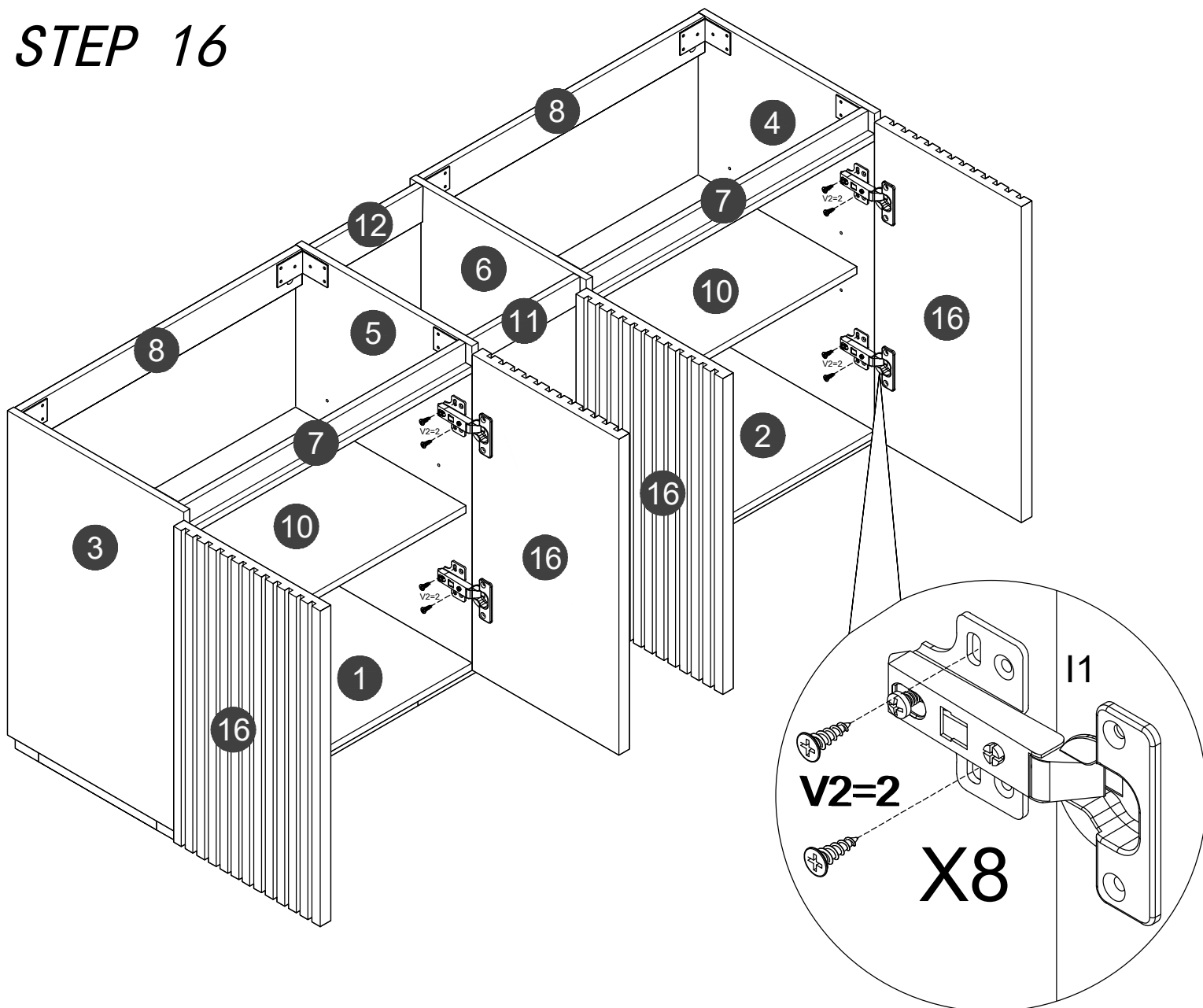
# STEP 14



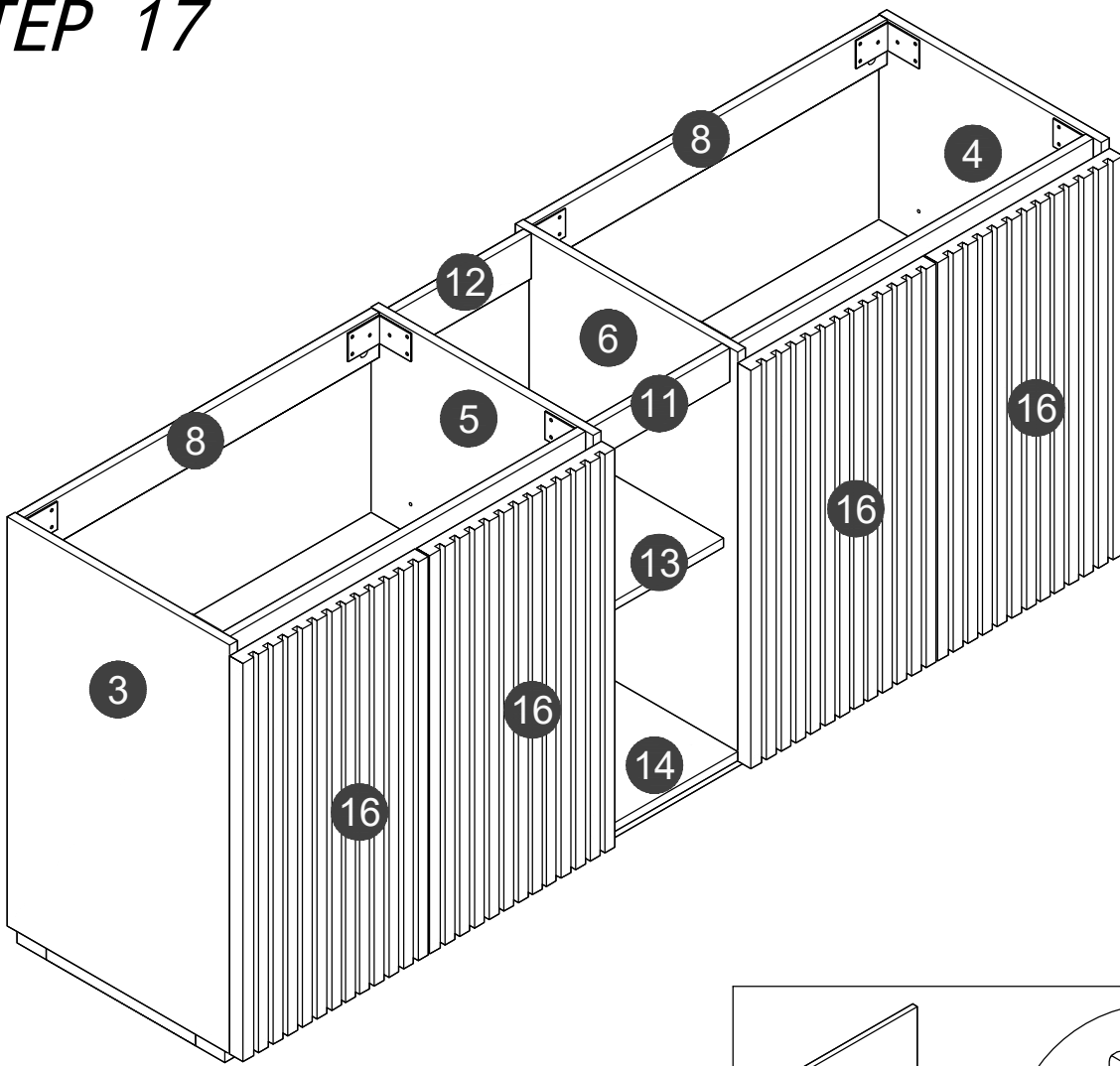
# STEP 15



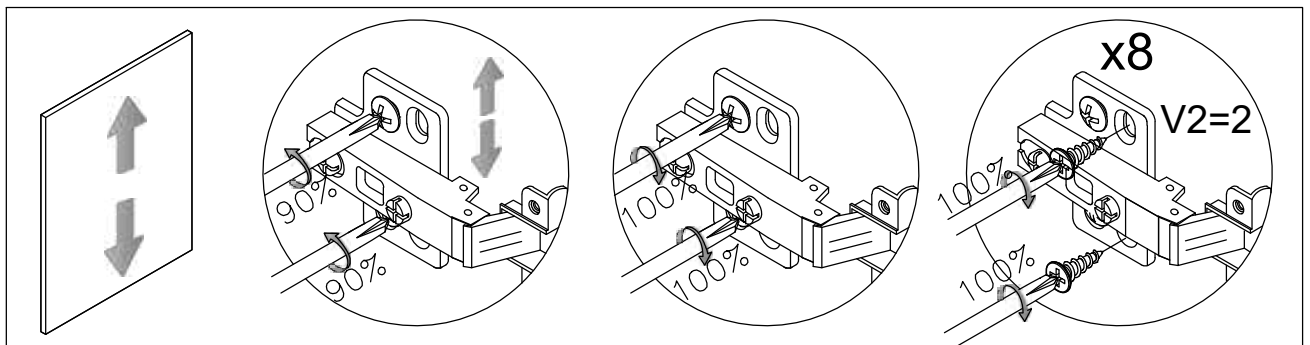
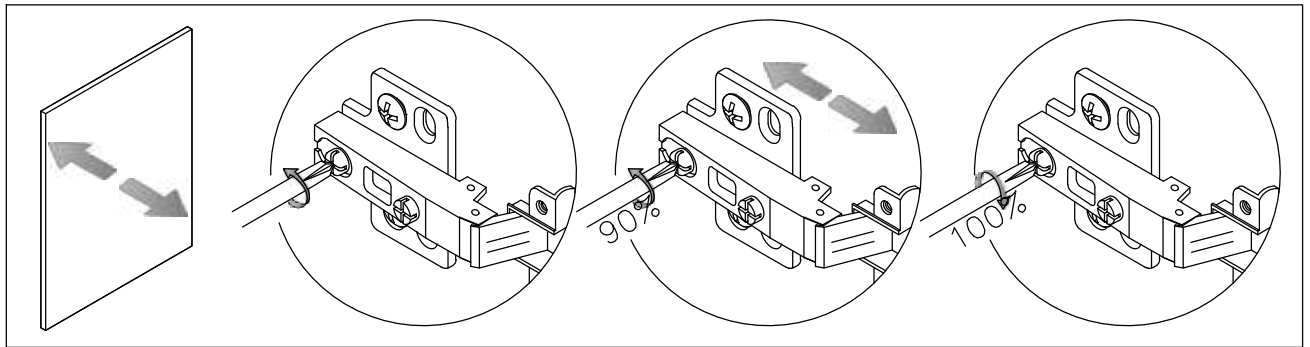
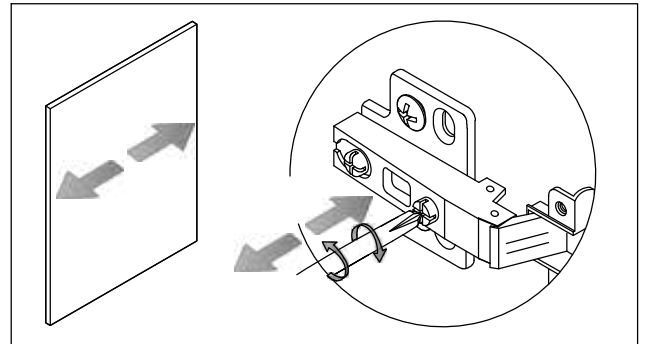
# STEP 16



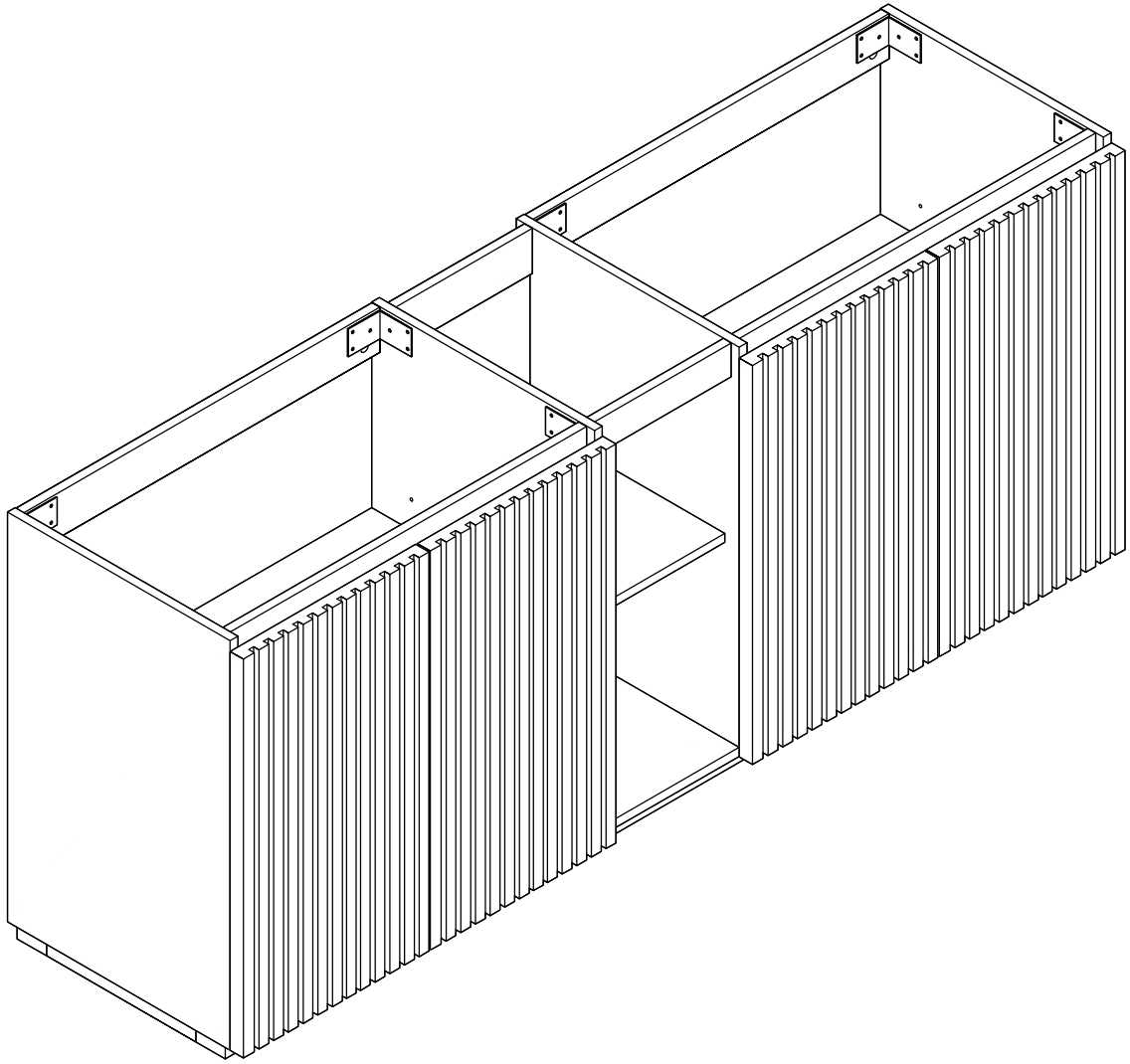
# STEP 17



**ADJUSTABLE**



# STEP 18



*Finish*