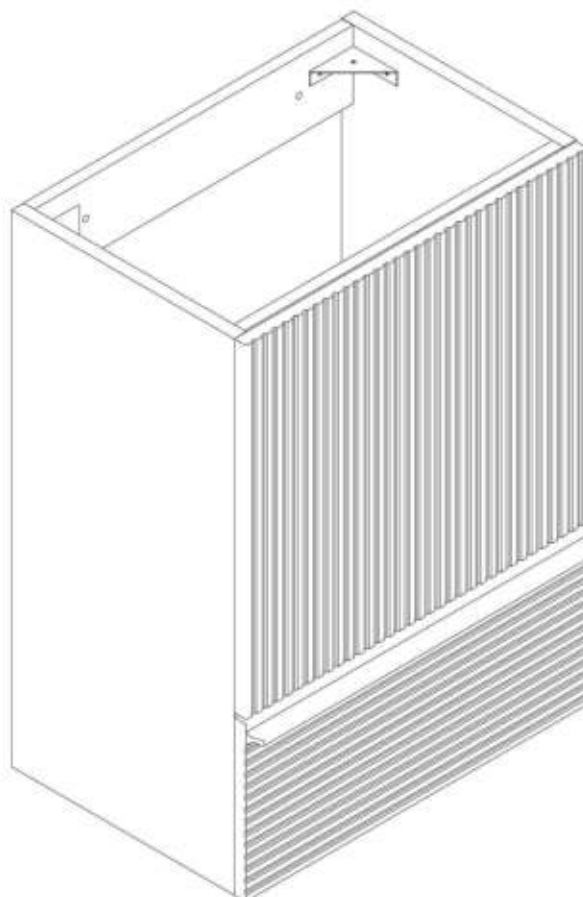


# Freestanding Bathroom Vanity Installation Guide



Thank you for selecting our quality product. Prior to assembly, carefully inspect all packing materials for any loose parts. Separate and count all components, comparing them to the parts list provided.

## Reminder

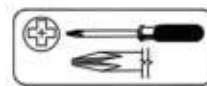
Refrain from tightening screws until assembly is complete. This ensures proper alignment and avoids any complications.



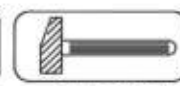
+



## Tools Required



(Not included)



(Not included)

## IMPORTANT:


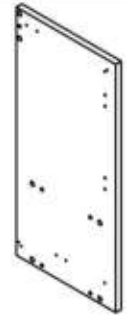
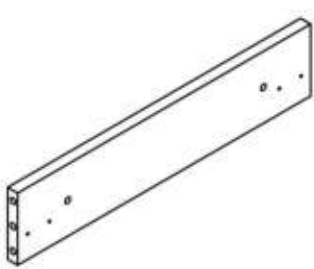
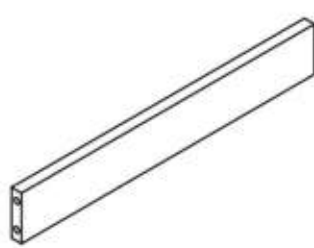

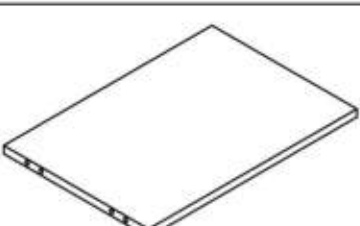
**PLEASE READ INSTRUCTIONS BEFORE STARTING THE ASSEMBLY.**

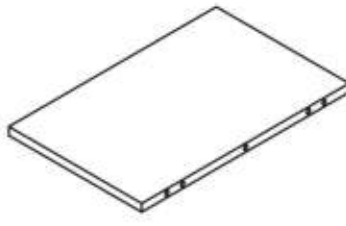
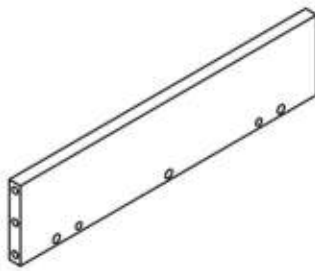

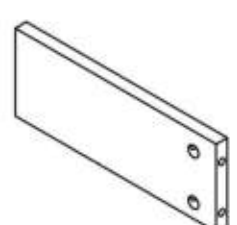

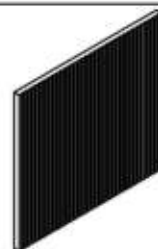
Thank you for choosing our products. Please review the installation manual carefully before assembly, following the step-by-step instructions for accessories and hardware. Our detailed guidance ensures a smooth assembly process.

Our products are environmentally friendly. To maintain their quality, avoid submerging them in water, placing heavy items on them, or applying excessive force. If you encounter any issues, please contact us for assistance.



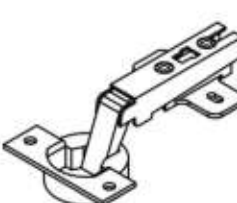



We appreciate your purchase. Thank you.


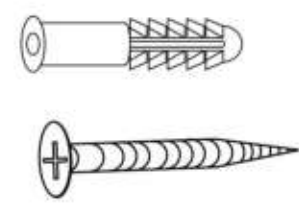



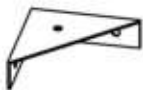


# ASSEMBLY INSTRUCTIONS

①		x1
②		x1
③		x1
④		x1
⑤		x1
⑥		x1

⑦		x1
⑧		x1
⑨		x1
⑩		x1
⑪		x1
⑫		x1

# ASSEMBLY INSTRUCTIONS

A		X18
B		X4
C		X2
D		X8
E		X4
F		X8

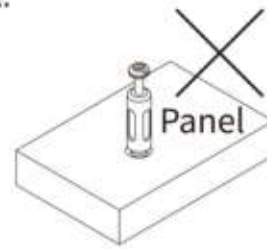
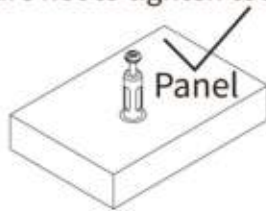
G		X58
H		X2
I1		X28
I2		
I3		
J		X2
K		X37
L		X2

# ASSEMBLY INSTRUCTIONS

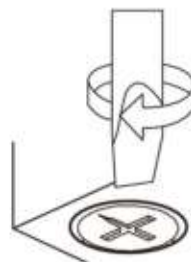
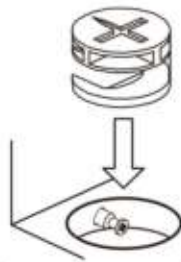
## Use the Cam Lock and Eccentric Wheel

### ECCENTRIC WHEEL

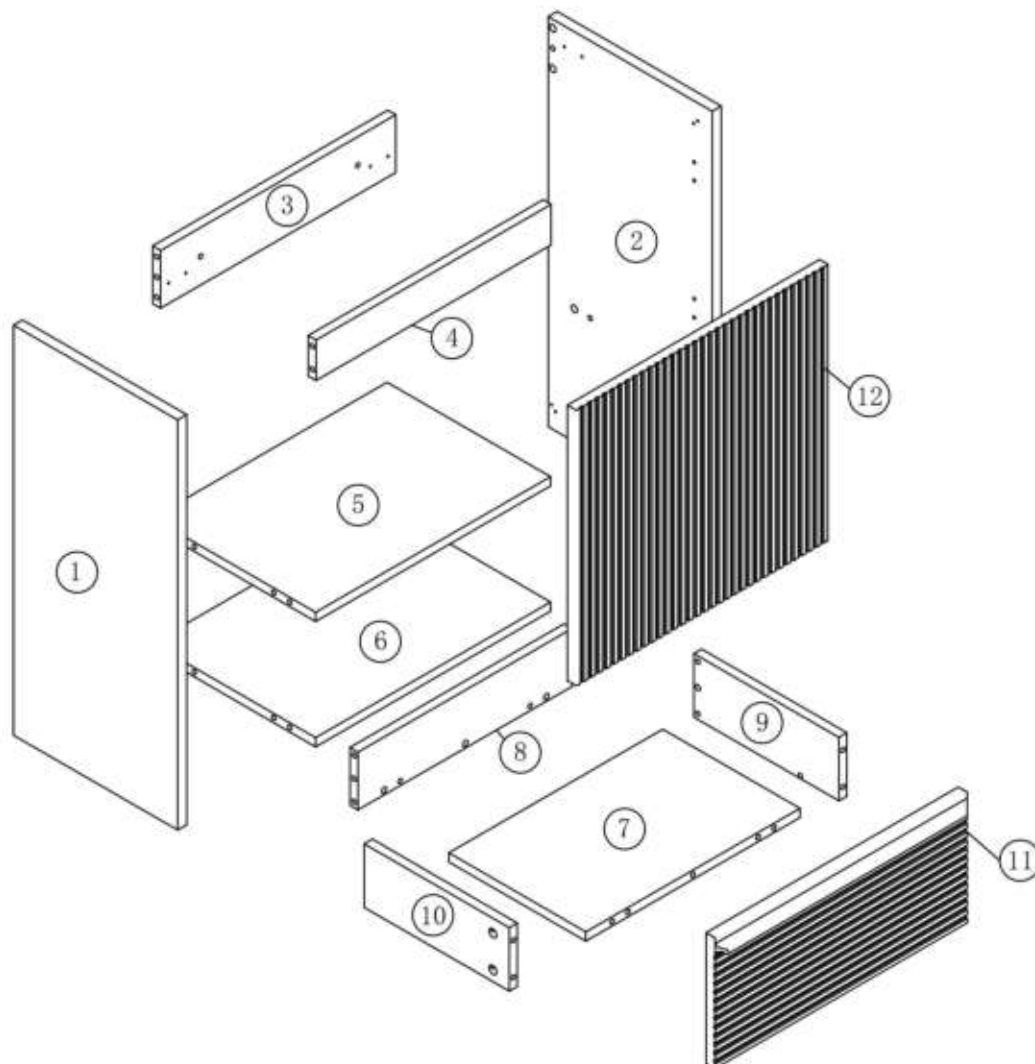
Tighten the bolt until the shoulder is aligned with the panel.  
Be sure not to tighten too much or too little.



The pre-inserted nut should align with the center of the cam lock when joining two panels. The cam lock should be inserted before the eccentric wheel.

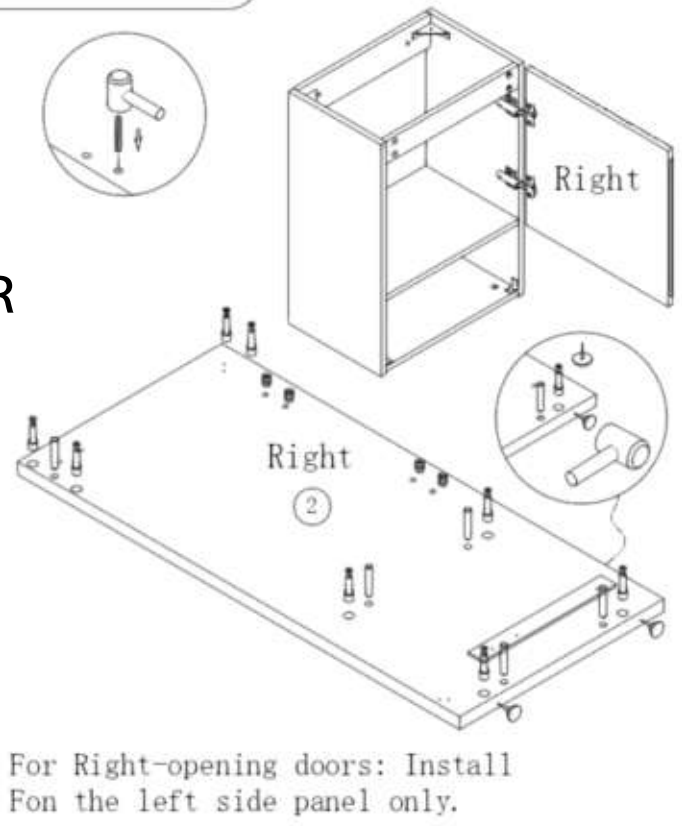
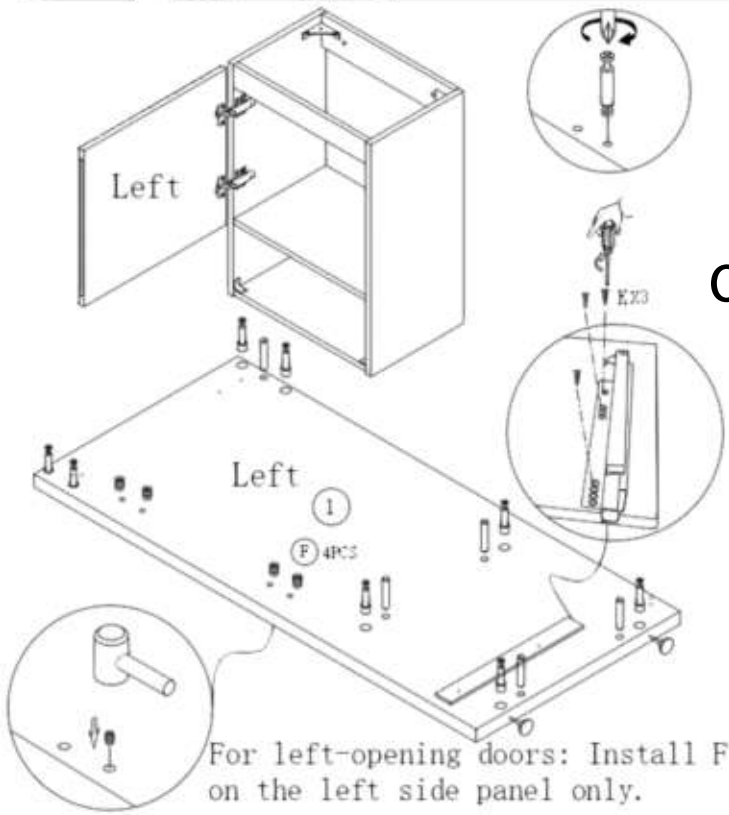
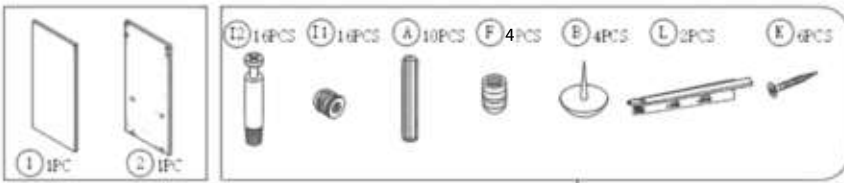


Turn the cam lock clockwise to tighten.

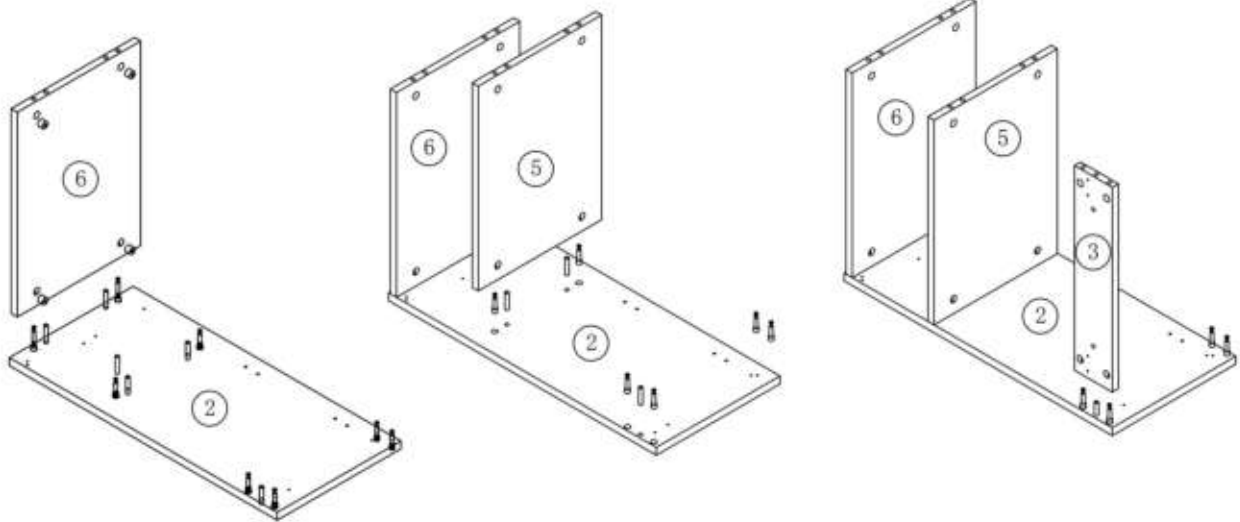
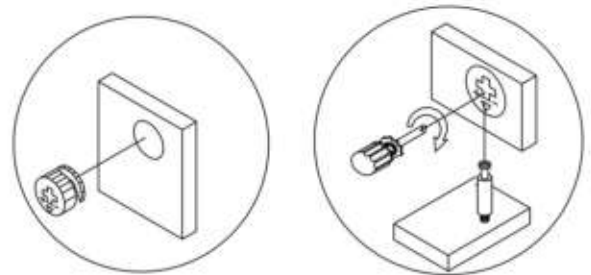
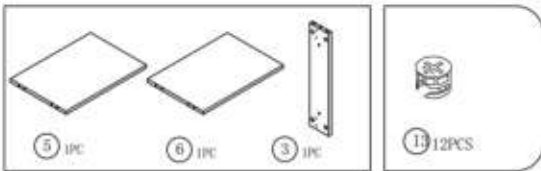


# ASSEMBLY INSTRUCTIONS

1

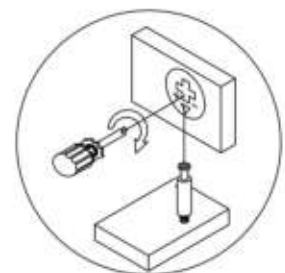
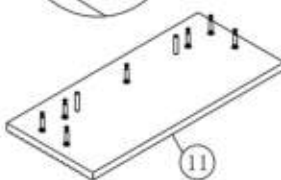
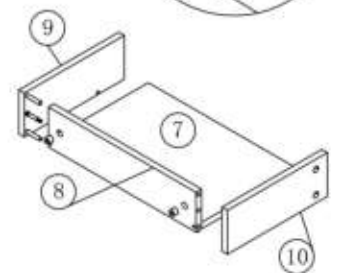
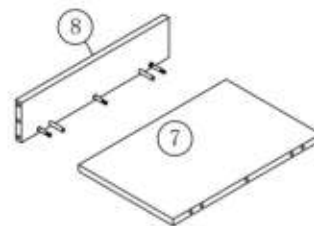
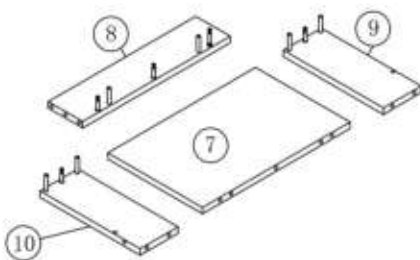
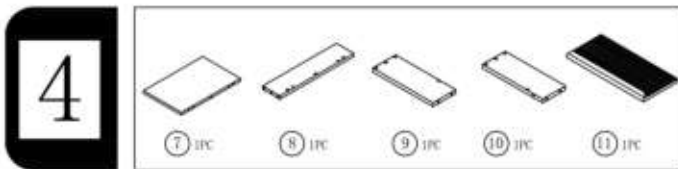
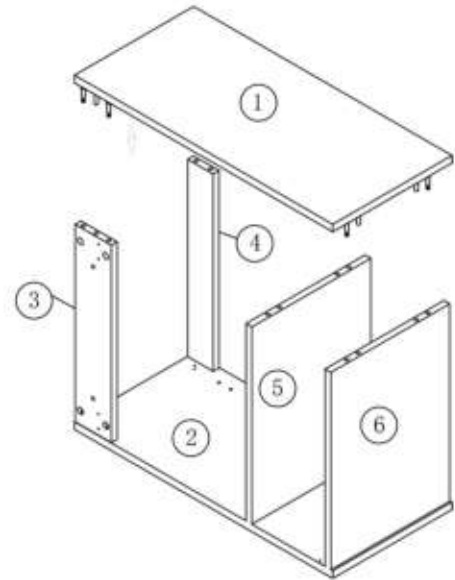
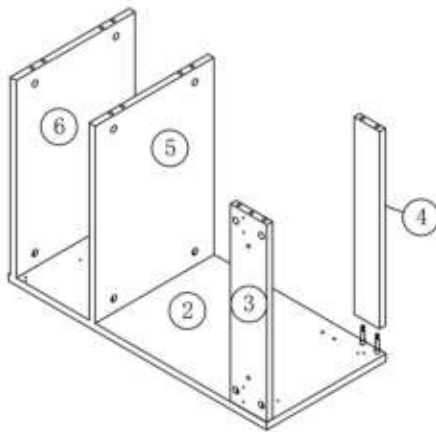
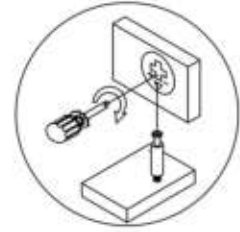
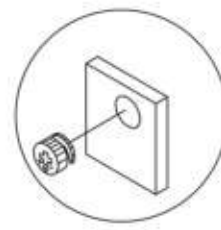
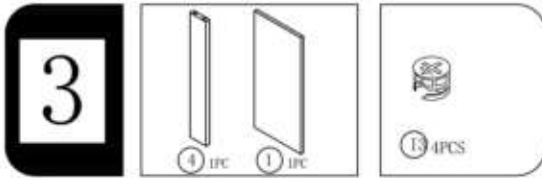


2



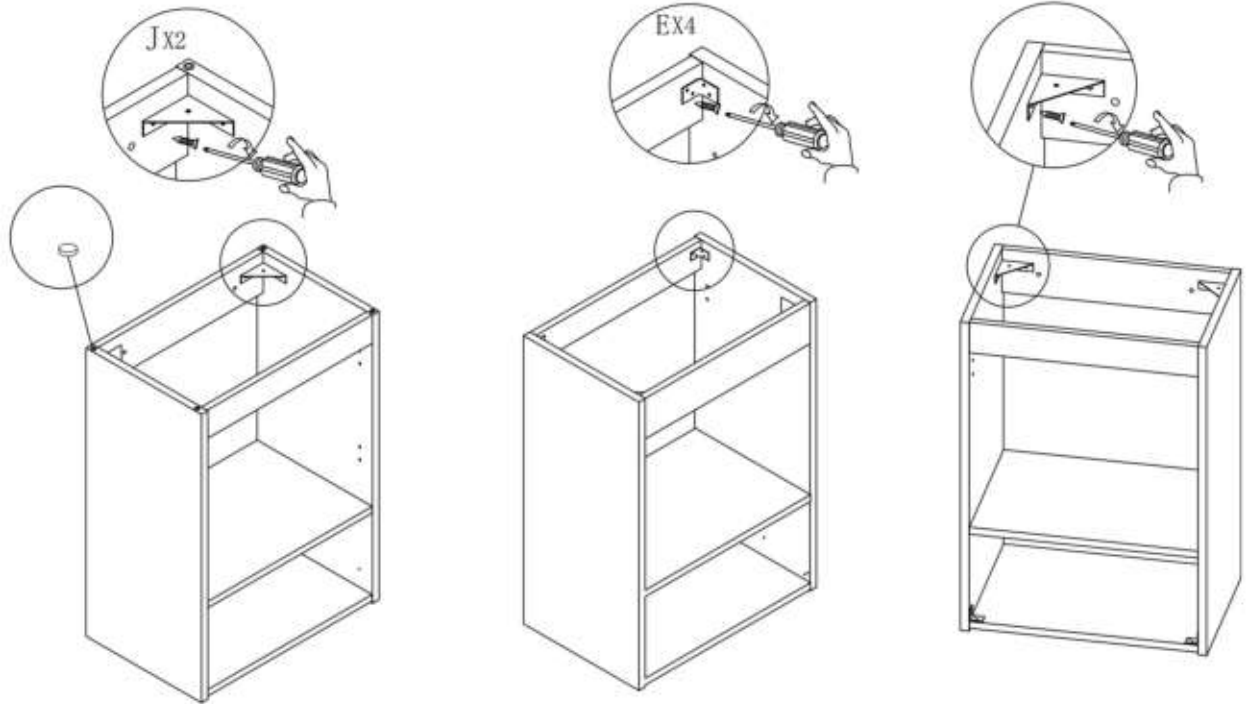
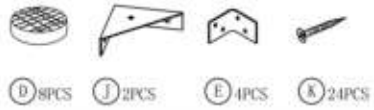
5

# ASSEMBLY INSTRUCTIONS

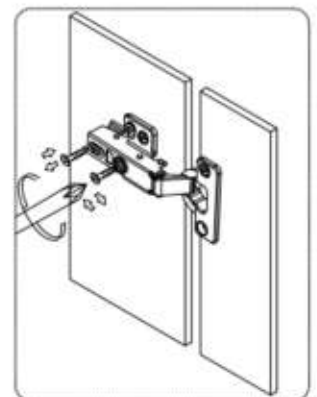
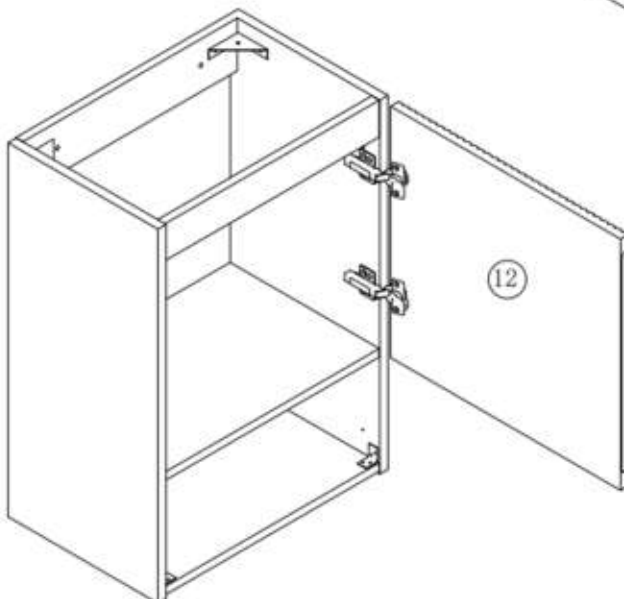
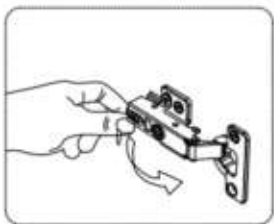
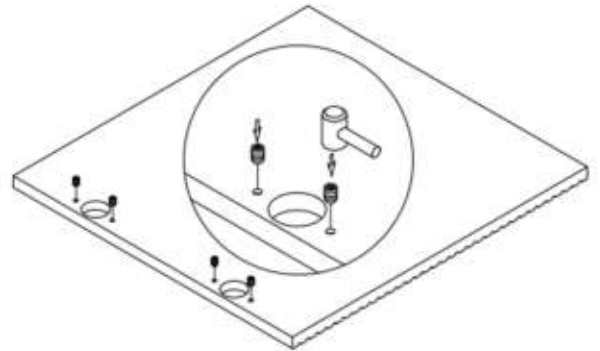
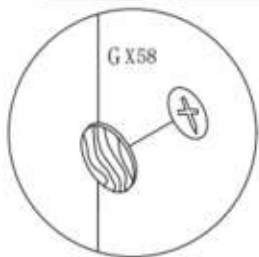


# ASSEMBLY INSTRUCTIONS

5

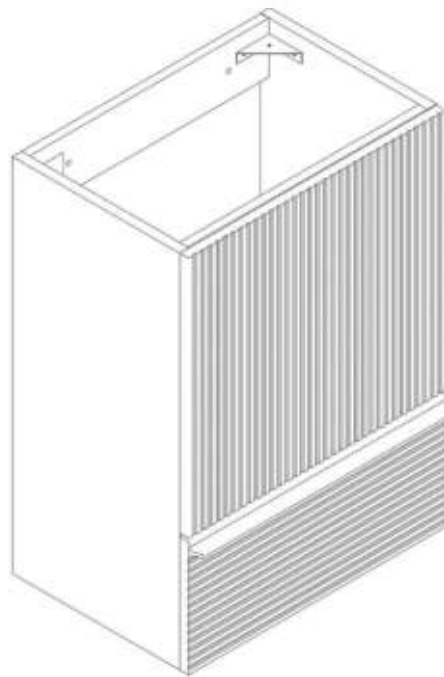
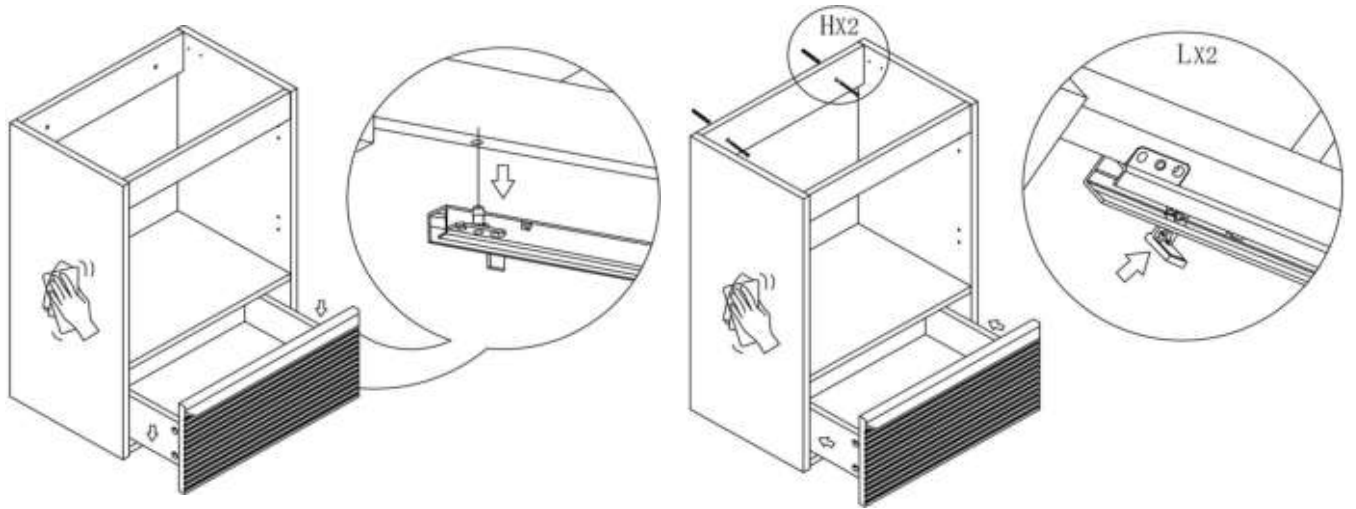
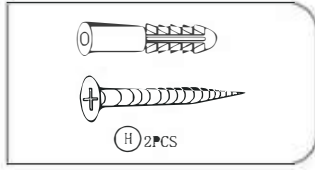


6



# ASSEMBLY INSTRUCTIONS

7



*ASSEMBLY COMPLETED*