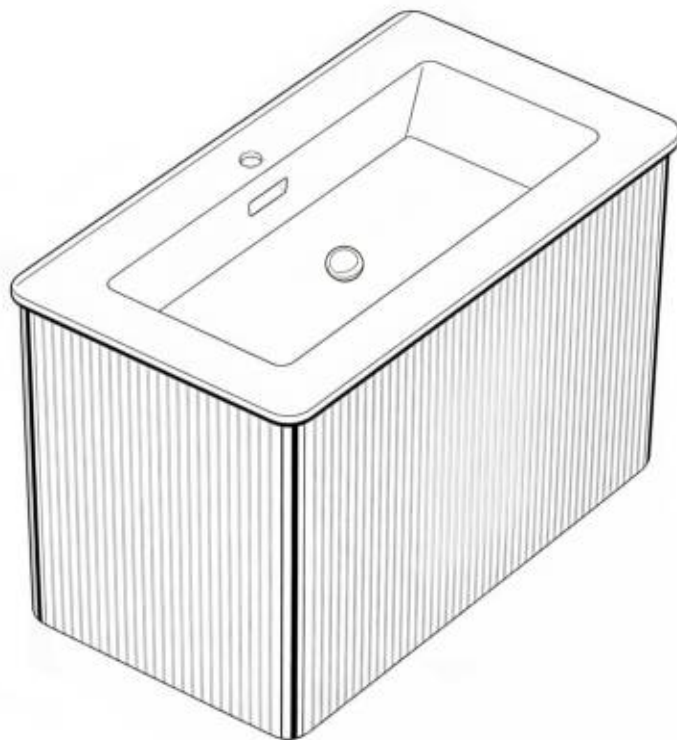
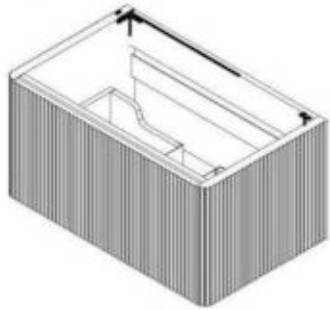


Installation Manual



Parts List








Cabinet



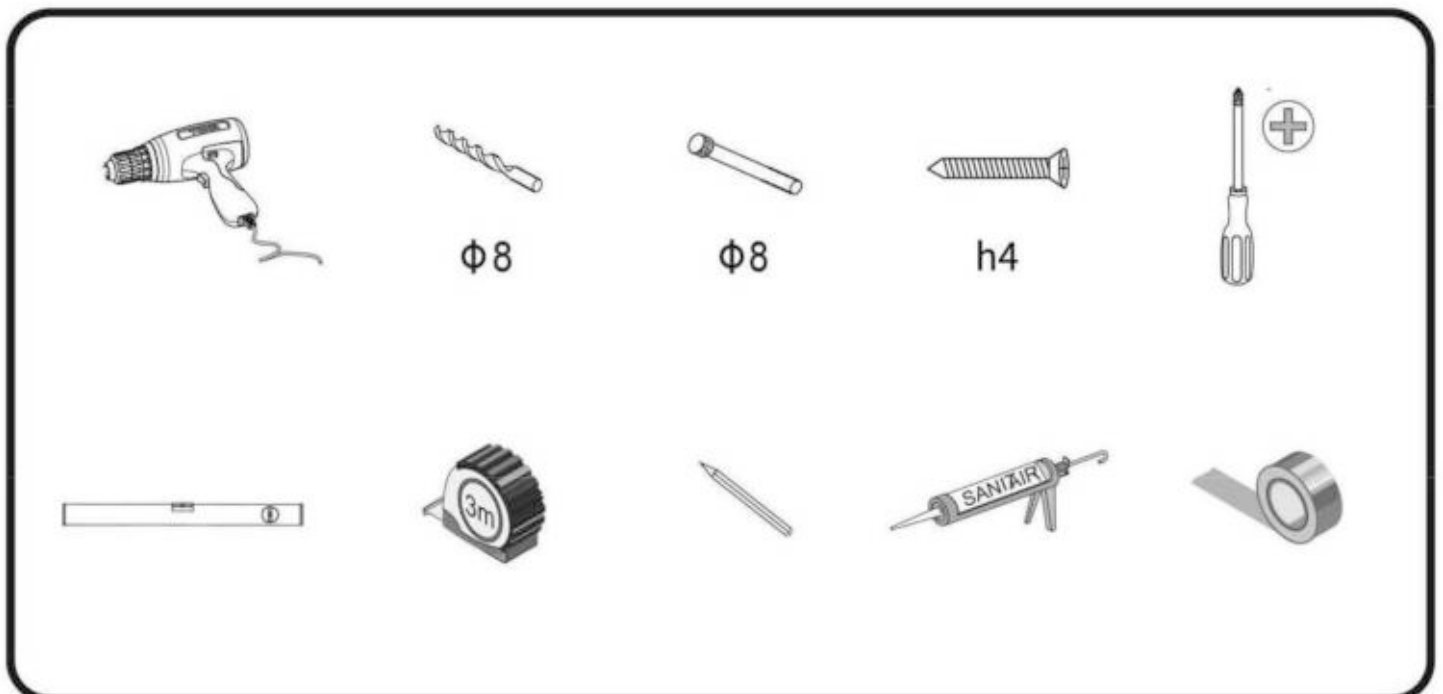
Basin



Fixed Accessories

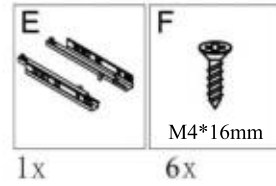
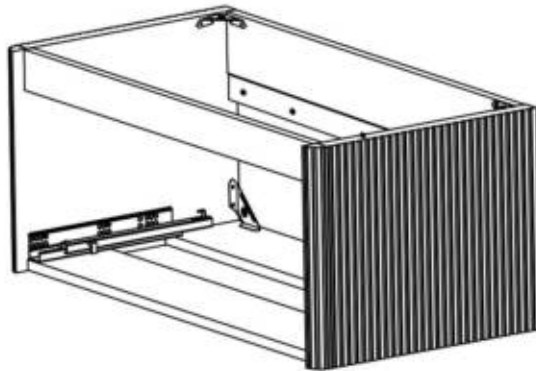
A 	B  M4*70mm	C  8*40mm	D 	E 	F  M4*16mm	G  M4*20mm
1x	4x	4x	4x	1x	6x	2x

Tools List

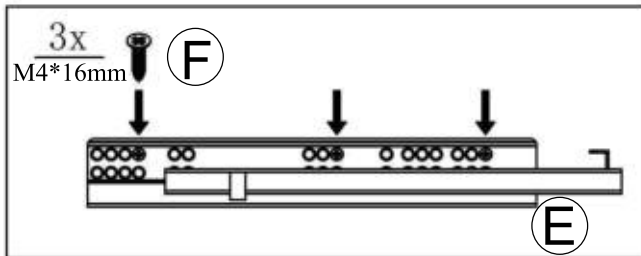


Installation Instructions

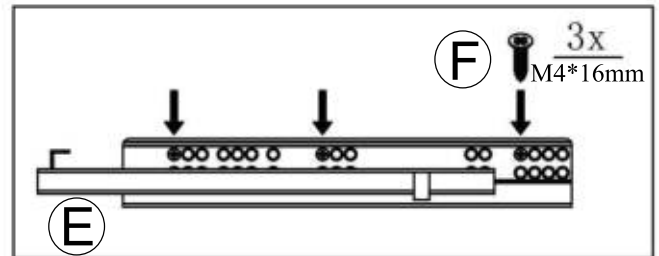
1 Drawer Slide Installation



Left side panel

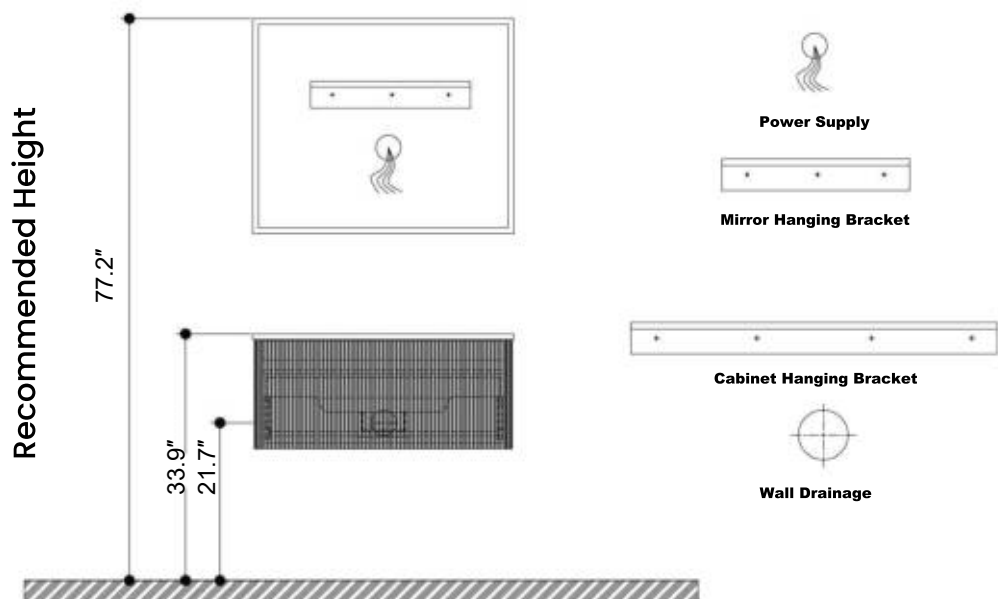


Right side panel



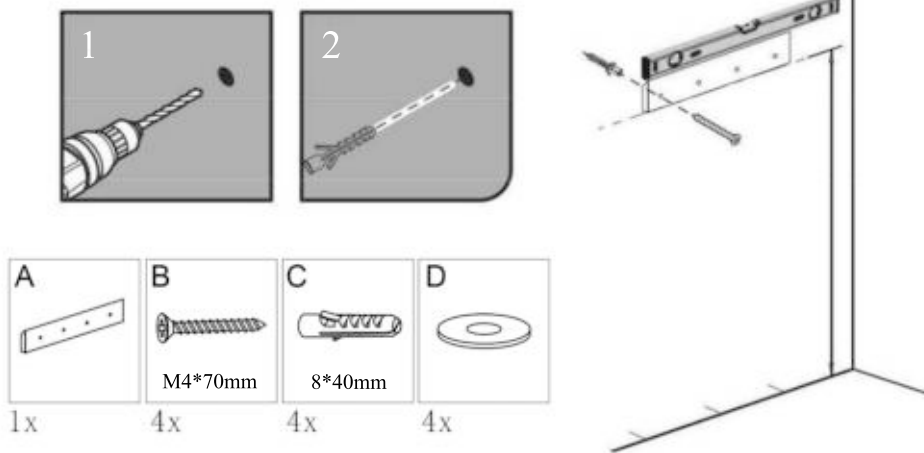
Mount the slides to the left and right side panels at the hole locations shown.

2 Measure Installation Height

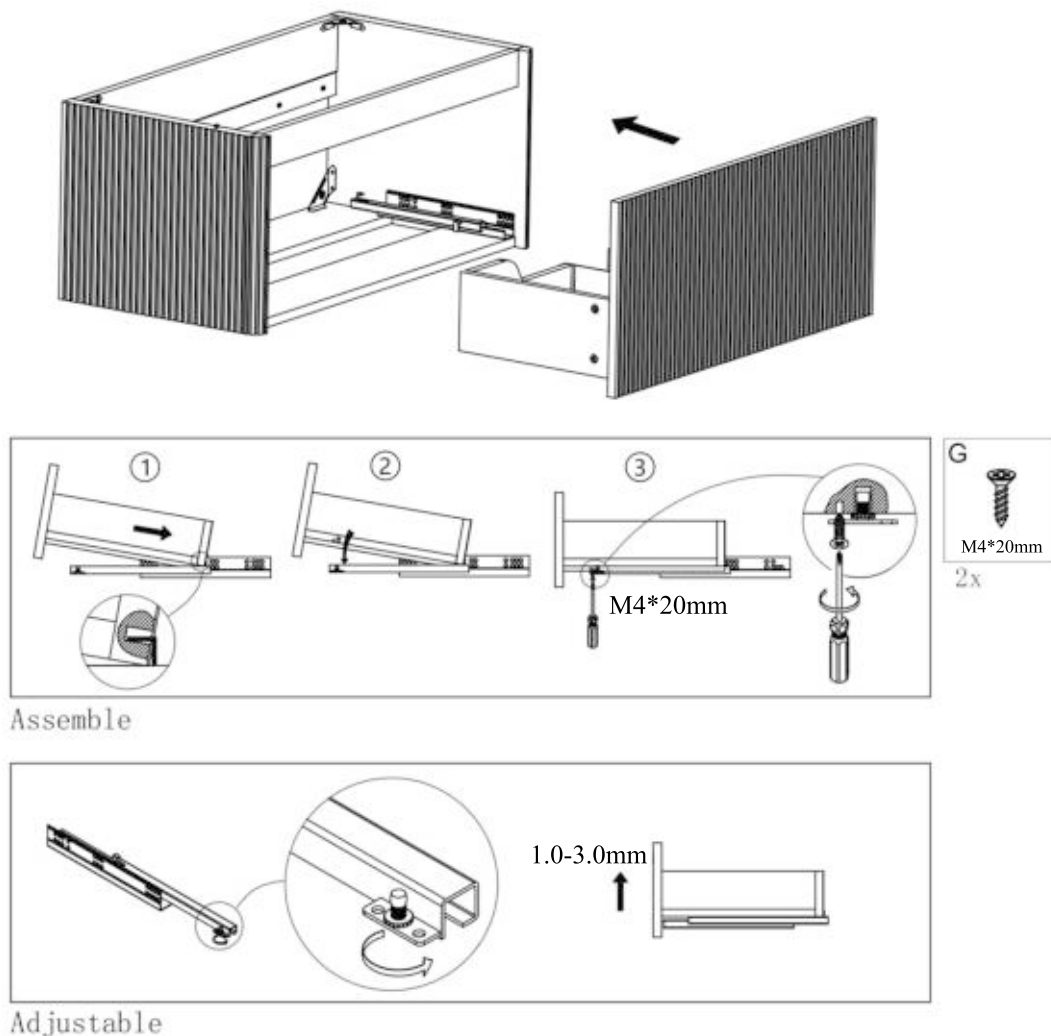


Installation Instructions

3 Install the hanging bracket

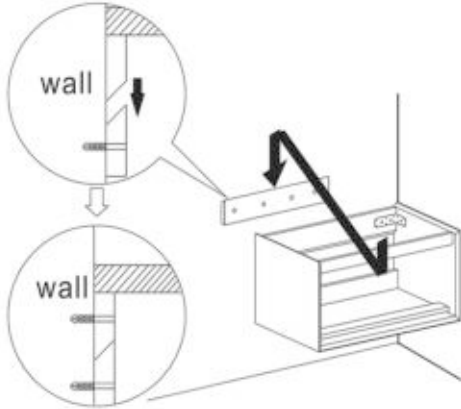


4 Insert the drawer and secure it with screws at the bottom.

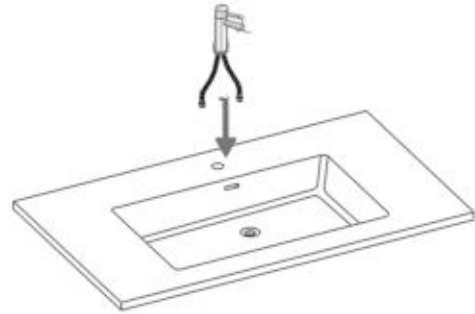


Installation Instructions

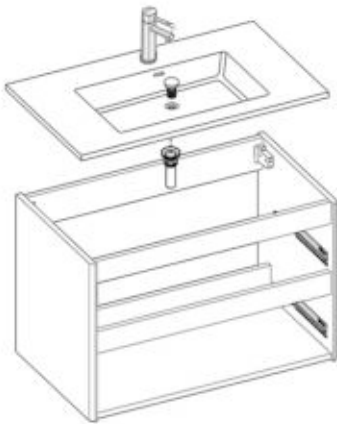
- 1** Hang the base cabinet on the bracket.



- 2** Install the faucet on the sink.



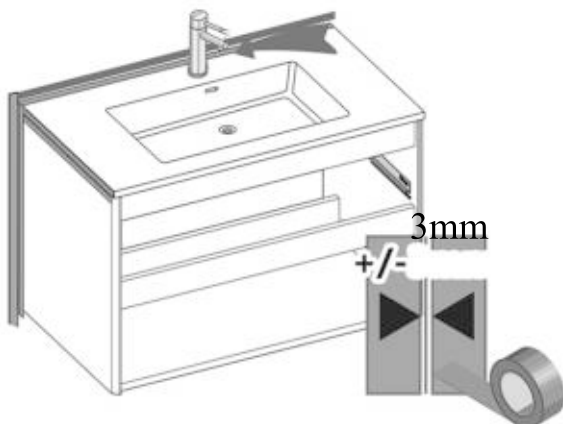
- 3** Adjust the position of the base cabinet and the sink to the drain location.



- 4** Roughly position the sink.



- 5** Adjust gaps and seal gaps with tapes to secure the position.



- 6** NO TOUCHING for 24 hours.

