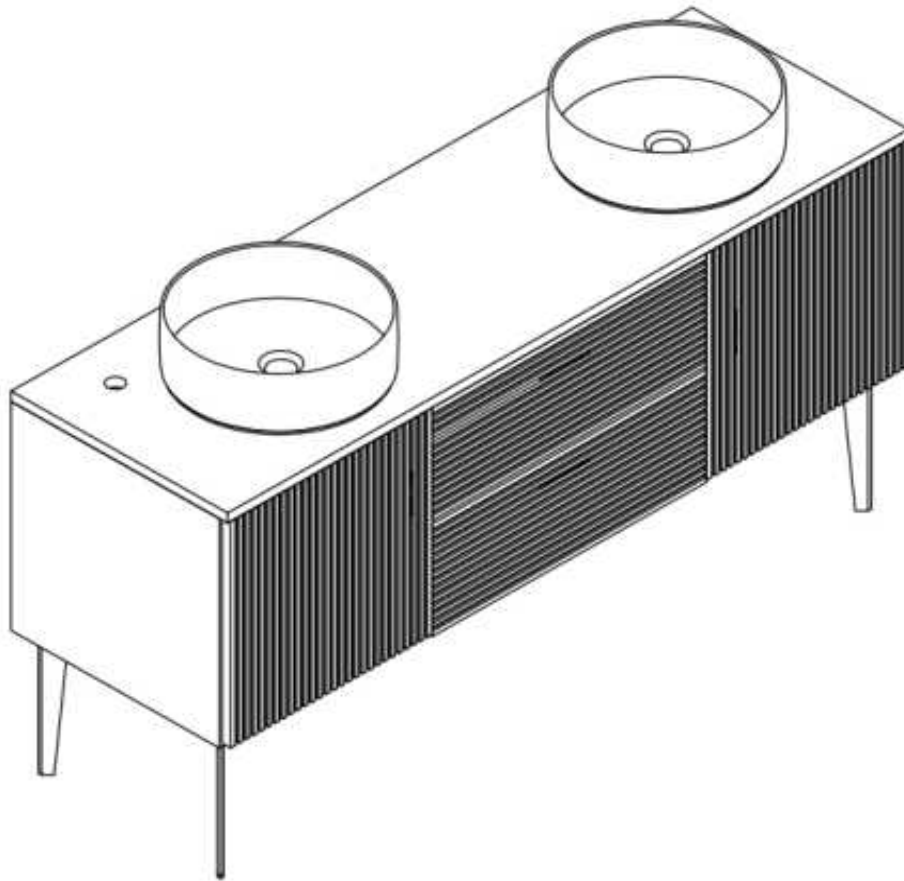


# Bathroom Vanity Assembly Guide



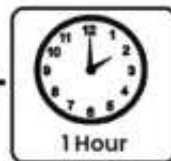
Thank you for selecting our quality product. Prior to assembly, carefully inspect all packing materials for any loose parts. Separate and count all components, comparing them to the parts list provided.

## Reminder

Refrain from tightening screws until assembly is complete. This ensures proper alignment and avoids any complications.



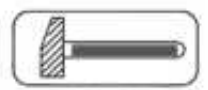
+



## Tools Required



(Not included)



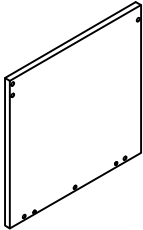
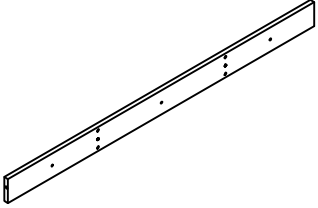
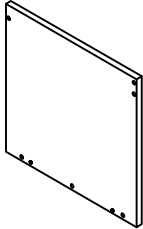
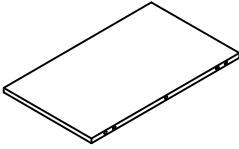
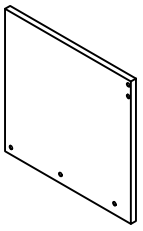
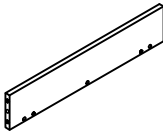
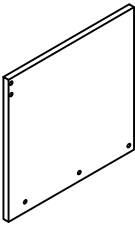
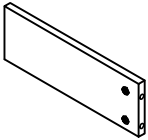
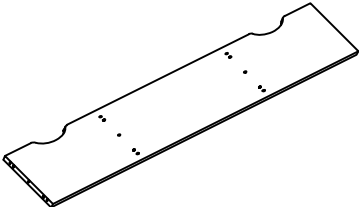
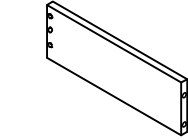
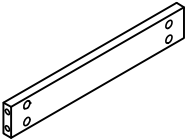
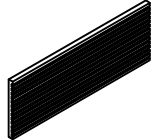
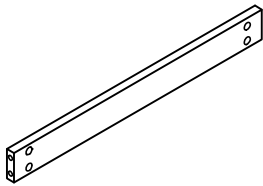
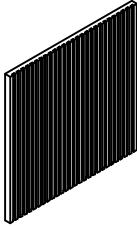
(Not included)

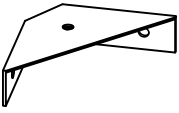

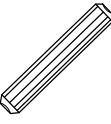
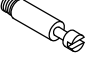
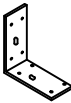

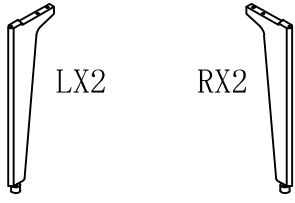

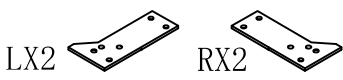


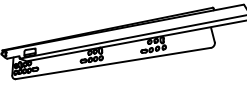
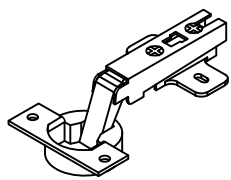
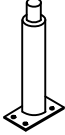
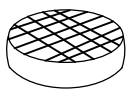
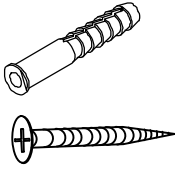

**IMPORTANT:**  
**PLEASE READ INSTRUCTIONS BEFORE STARTING THE ASSEMBLY.**

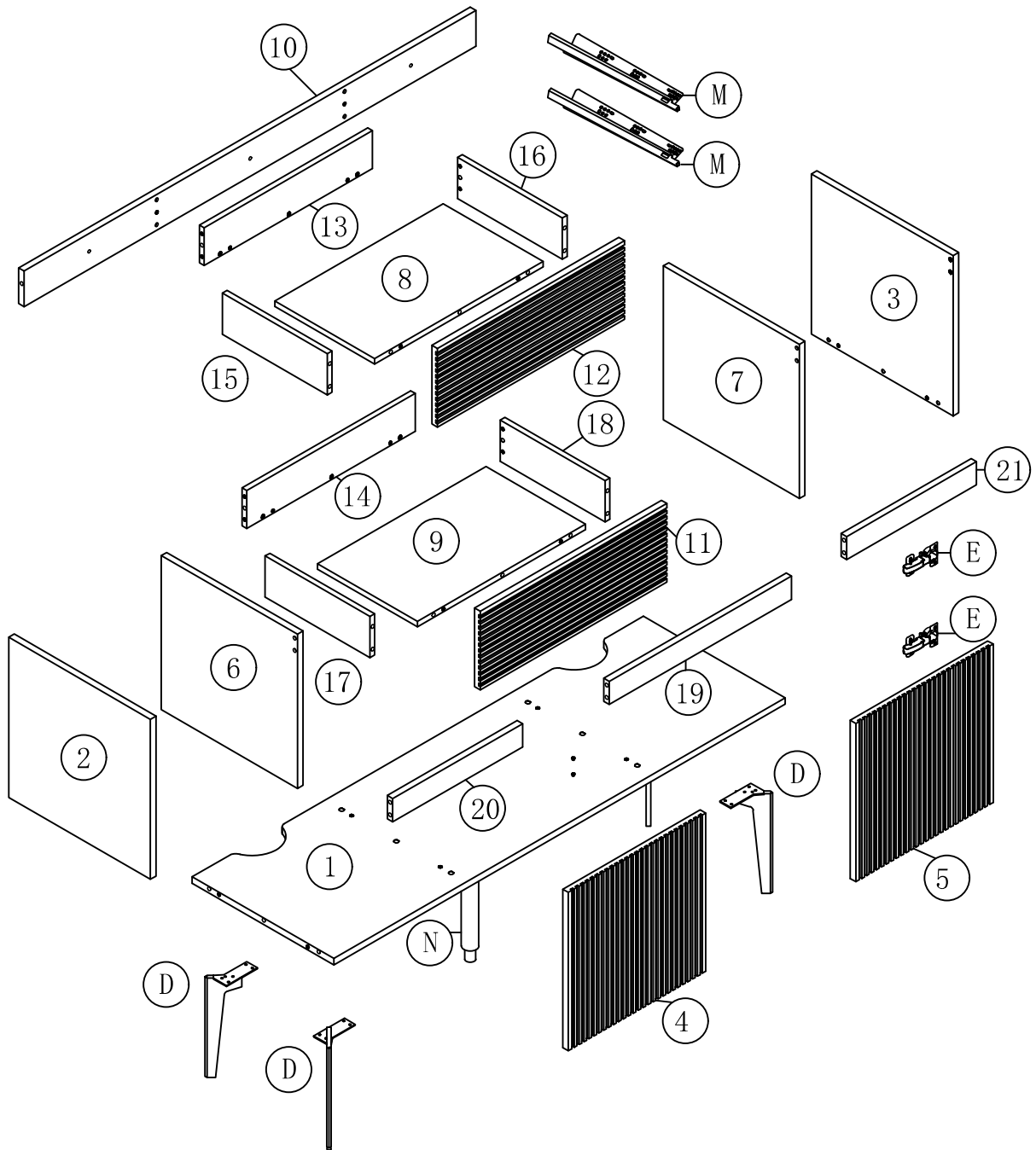
Thank you for choosing our products. Please review the installation manual carefully before assembly, following the step-by-step instructions for accessories and hardware. Our detailed guidance ensures a smooth assembly process.

Our products are environmentally friendly. To maintain their quality, avoid submerging them in water, placing heavy items on them, or applying excessive force. If you encounter any issues, please contact us for assistance.

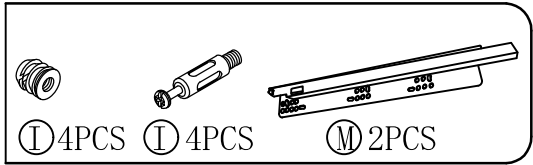
We appreciate your purchase. Thank you.

②		X1		⑩		X1
③		X1		⑧		X1
⑥		X1		⑬		X1
⑦		X1		⑮		X1
①		X1		⑰		X1
⑳		X1		⑪		X1
㉑				⑫		
⑱		X1		④		X1
				⑤		
2						

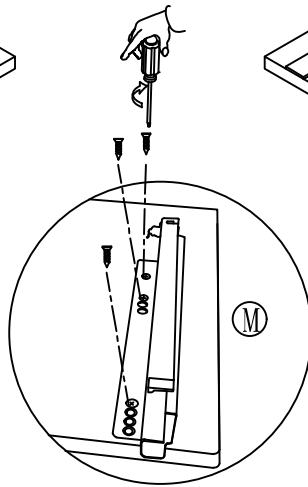
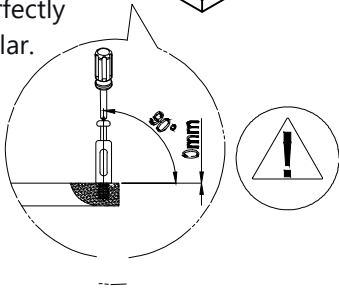
<b>A</b>		X4		<b>H</b>		X56
<b>B</b>		X28		<b>I</b>		X56
<b>C</b>		X2		<b>J</b>		X56
<b>D</b>		X4		<b>K</b>		X4
<b>D1</b>		X4		<b>L</b>		X76
<b>D2</b>		X8		<b>M</b>		X2
<b>E</b>		X4		<b>N</b>		X1
<b>F</b>		X14		<b>O</b>		X3
<b>G</b>		X35				
			3			



1

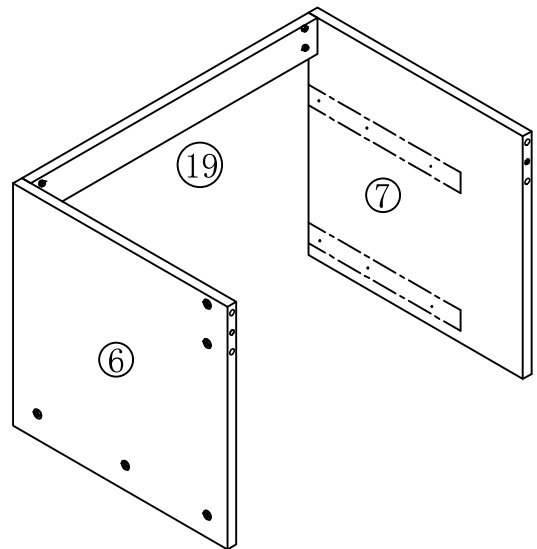
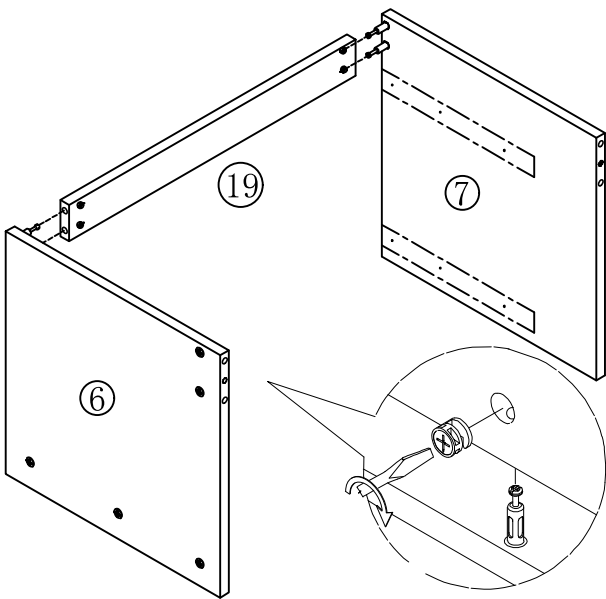
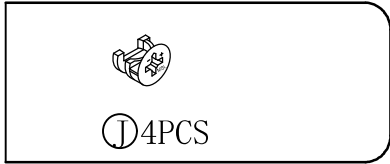
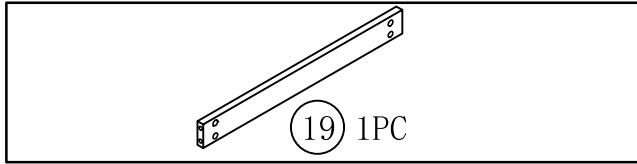


1. When screwing in the bolt, make sure it's perfectly perpendicular.



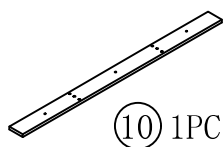
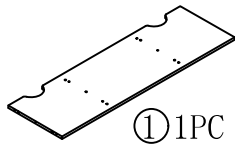
2. Secure the bolt by tightening it into the pilot hole on the side panel.

2

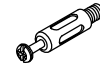


5

3



Ⓜ 10PCS

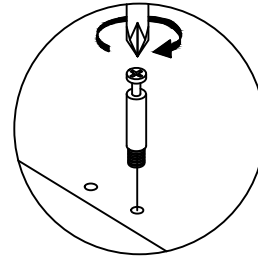
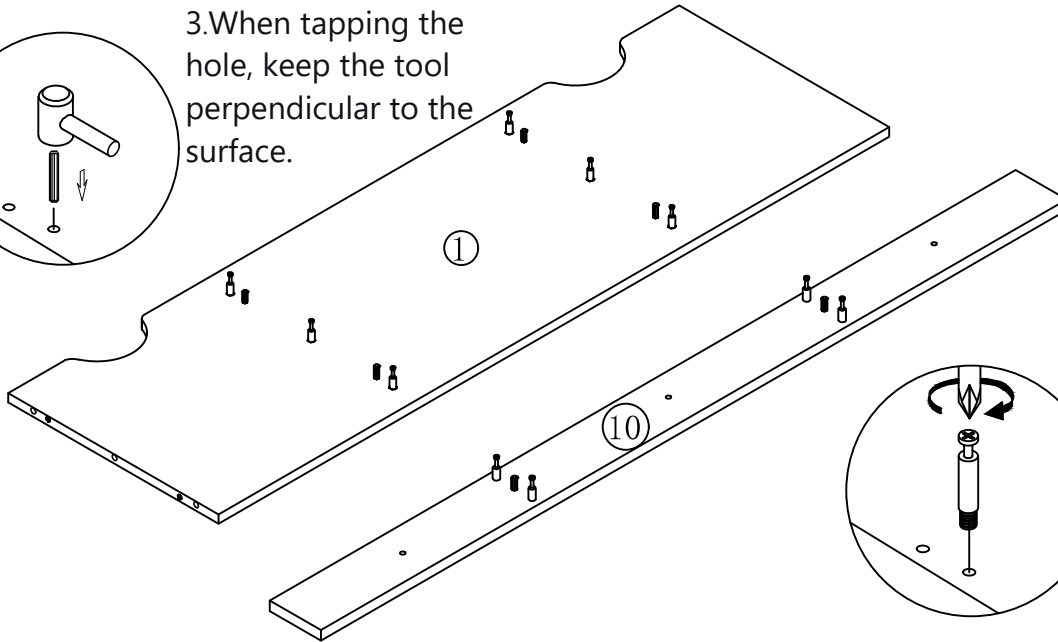
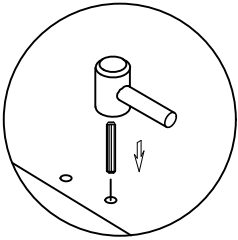


Ⓛ 10PCS



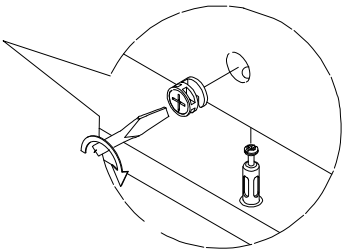
ⓑ 6PCS

3. When tapping the hole, keep the tool perpendicular to the surface.

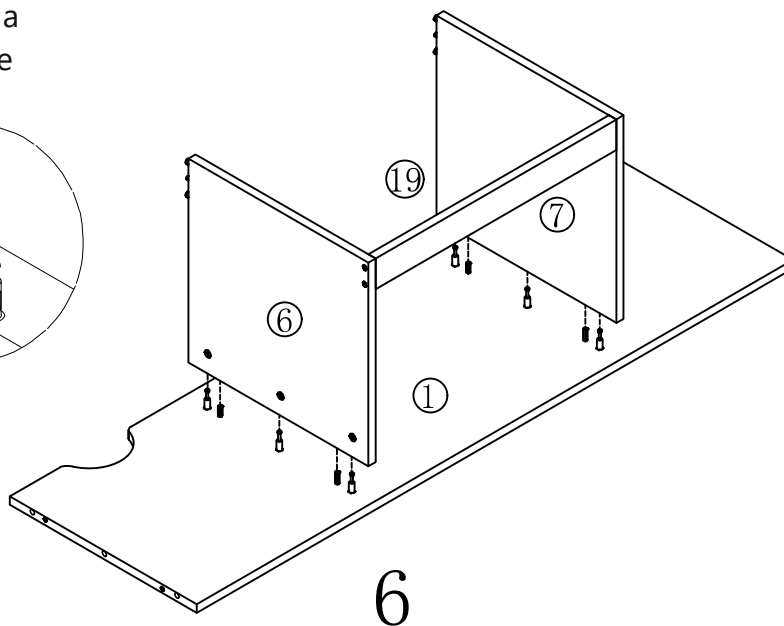


4

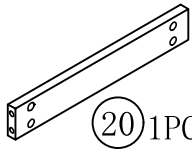
4. Tighten it with a quarter clockwise turn.



Ⓝ 6PCS



5



②0 1PC

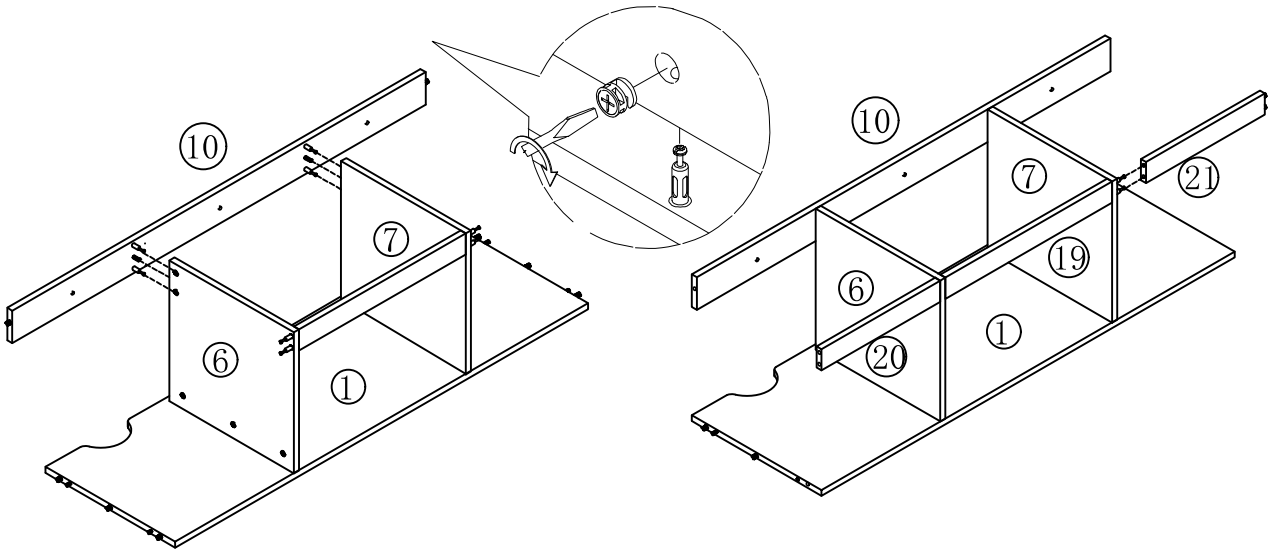
②1 1PC



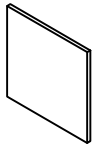
ⓓ 8PCS



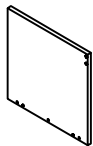
ⓓ 4PCS



6



② 1PC



③ 1PC



ⓓ 6PCS



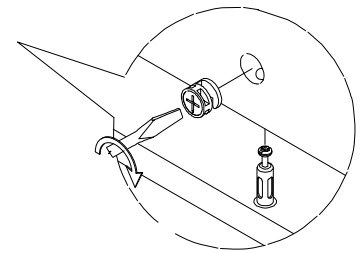
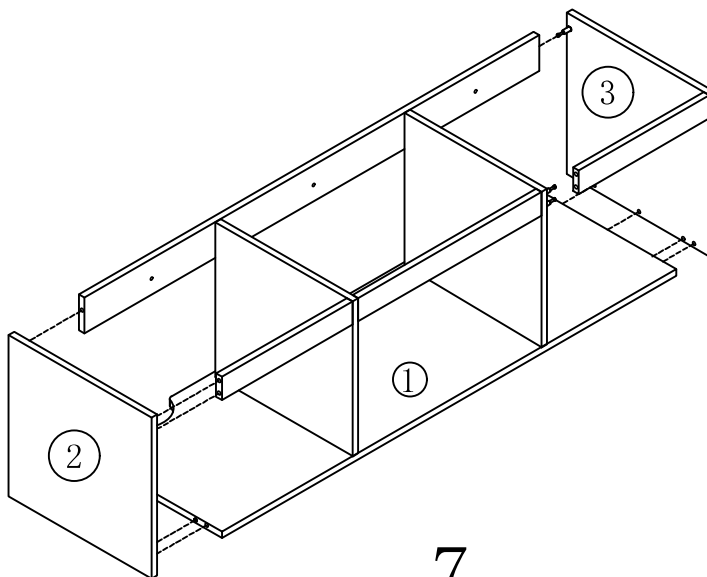
ⓓ 12PCS



ⓓ 12PCS



ⓓ 12PCS



7

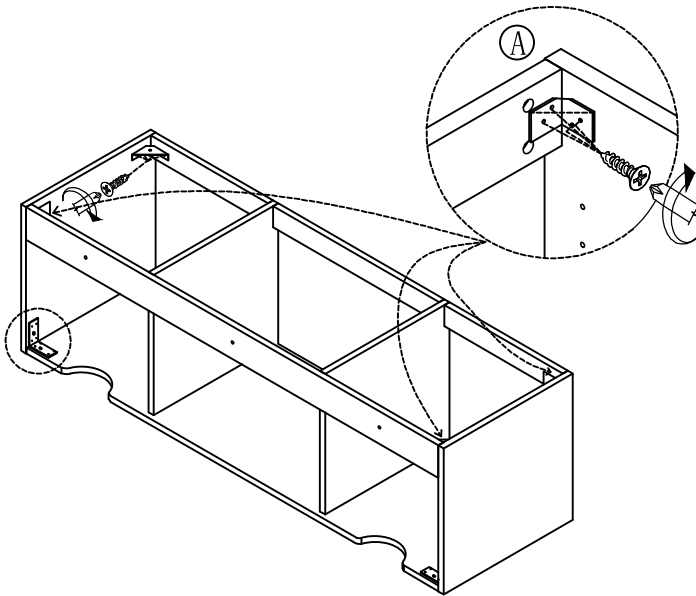
7



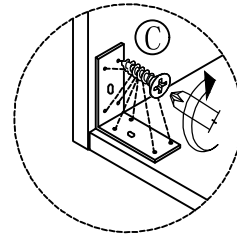
Ⓐ 4PCS



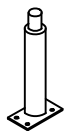
Ⓒ 2PCS



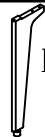
5. Turn clockwise to tighten.



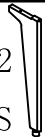
8



Ⓐ 1PC



Lx2 Rx2  
Ⓓ 4PCS



Ⓓ1 4PCS

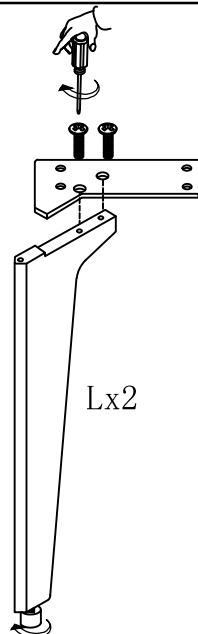
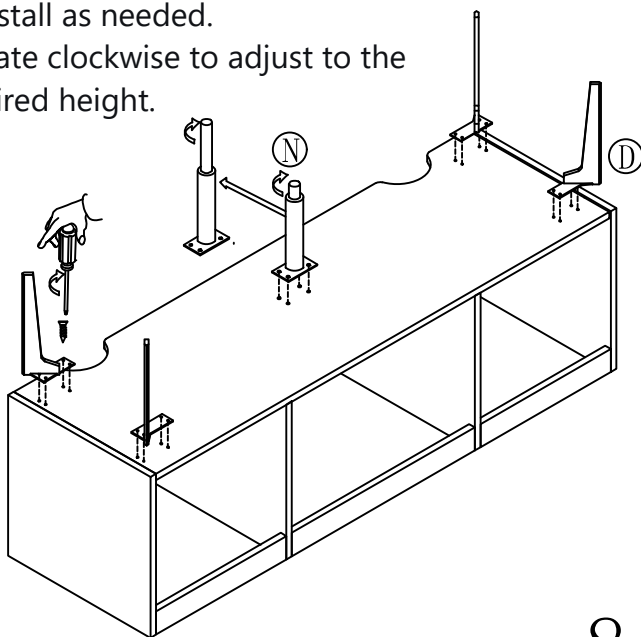


Ⓓ2 8PCS

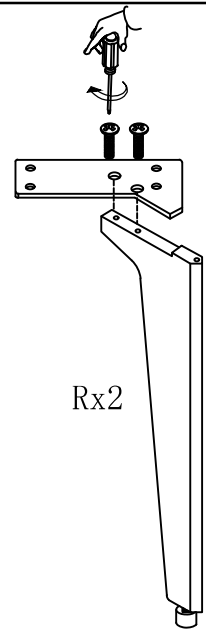


Ⓓ 20PCS

6. Install as needed.  
Rotate clockwise to adjust to the desired height.



Lx2

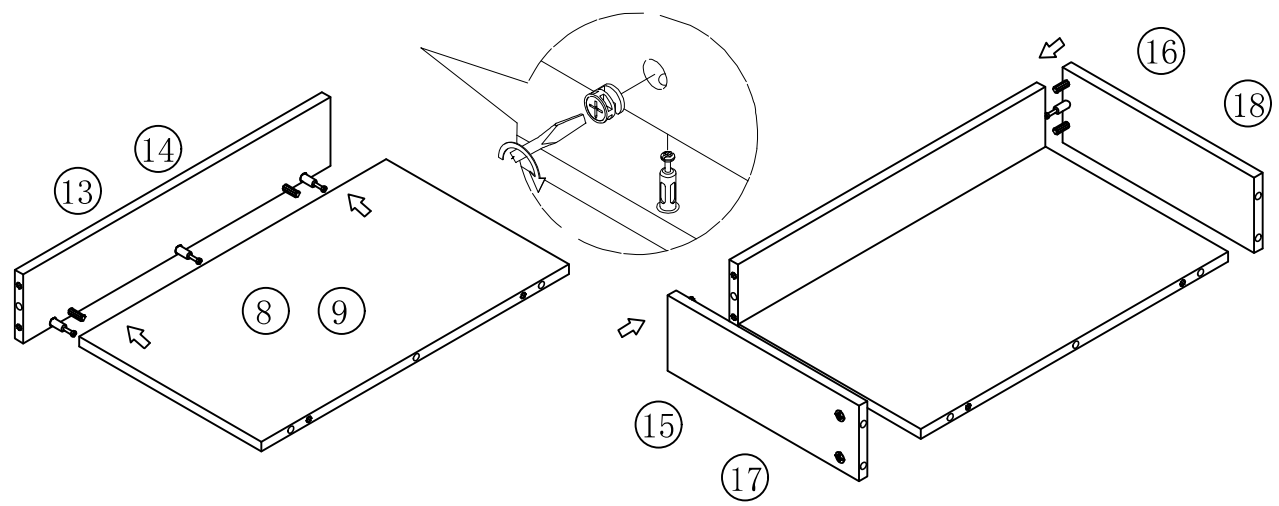
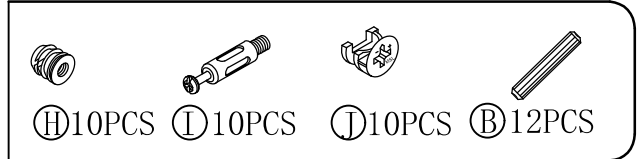
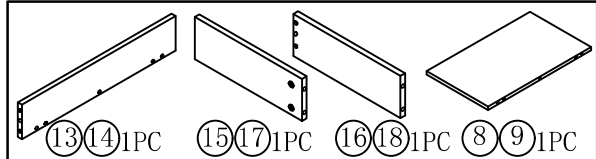


Rx2

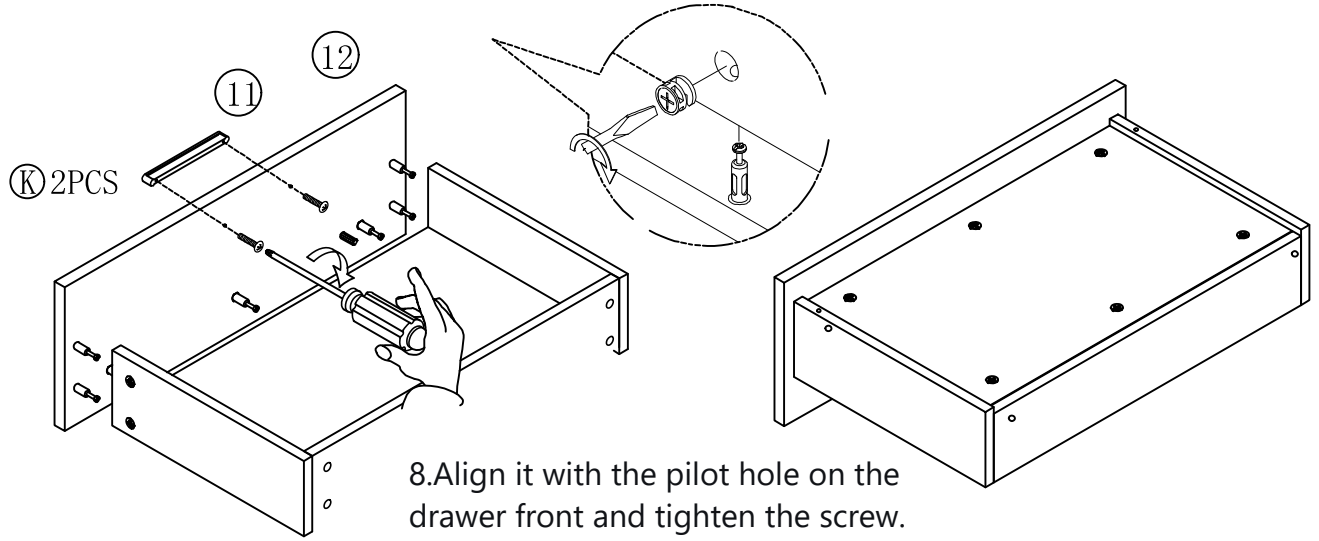
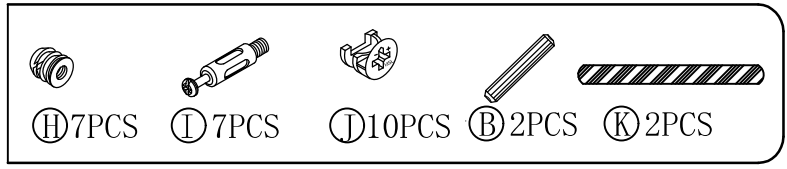
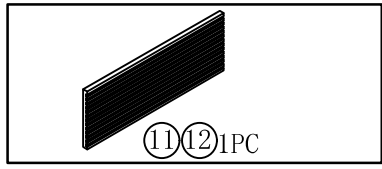
8

7. Rotate clockwise to adjust to the desired height.

# 9

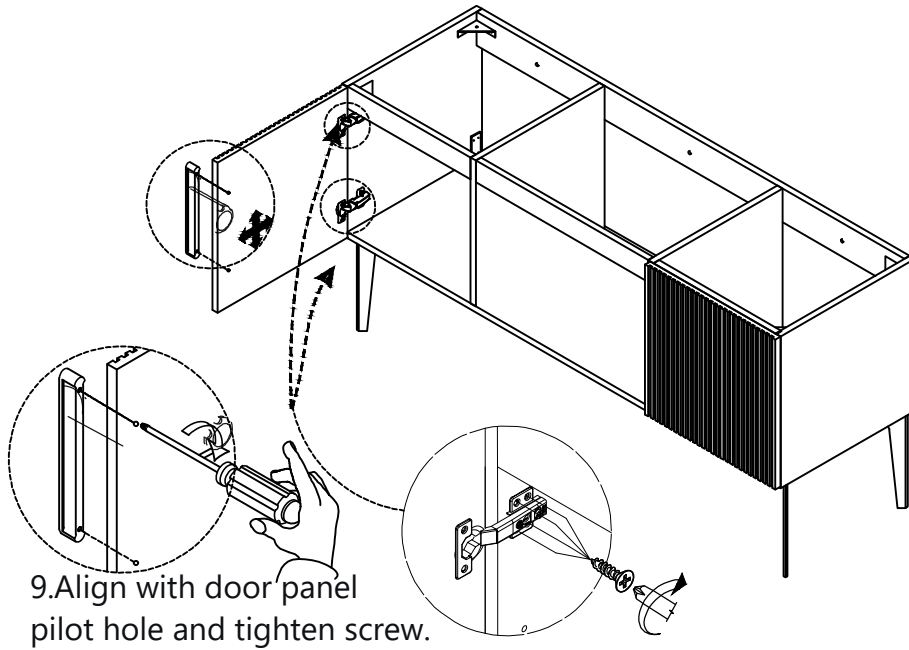
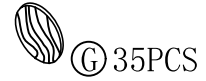
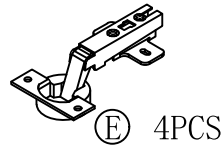


# 10

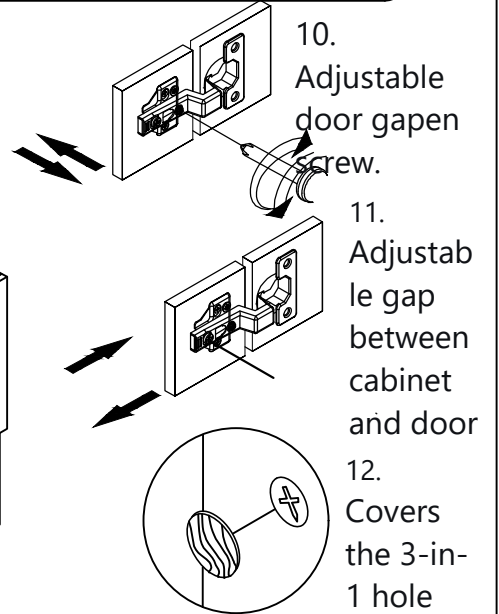


8.Align it with the pilot hole on the drawer front and tighten the screw.

11



9. Align with door panel pilot hole and tighten screw.

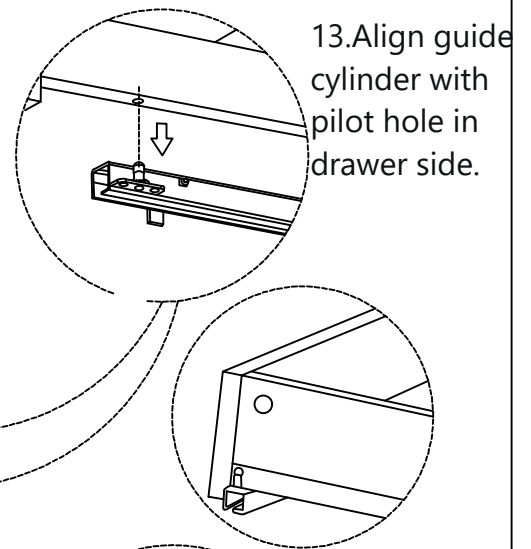
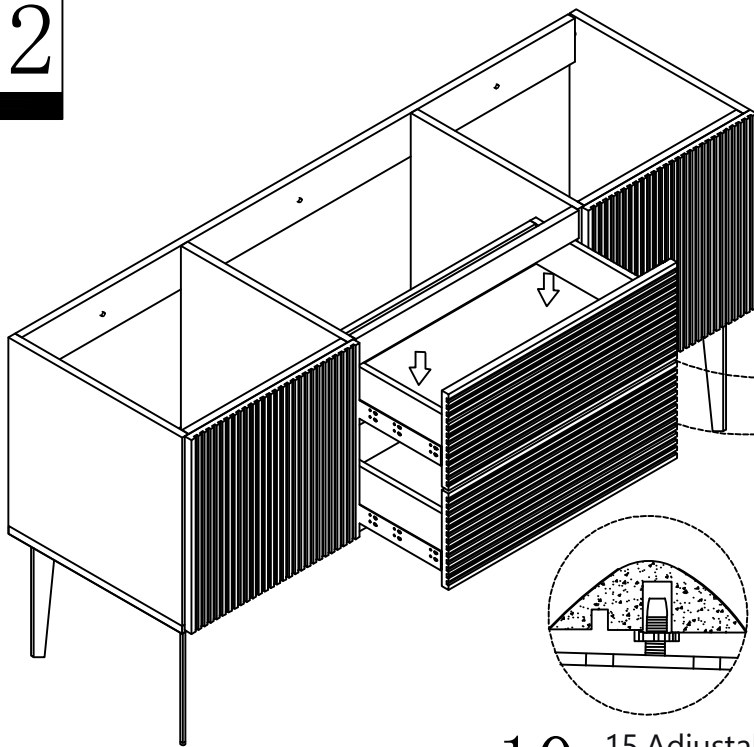


10. Adjustable door gap screw.

11. Adjustable gap between cabinet and door

12. Covers the 3-in-1 hole

12

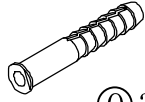


13. Align guide cylinder with pilot hole in drawer side.

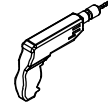
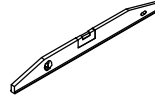
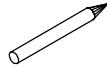
14. Slide upward and lock into place.

10 15. Adjustable drawer gap

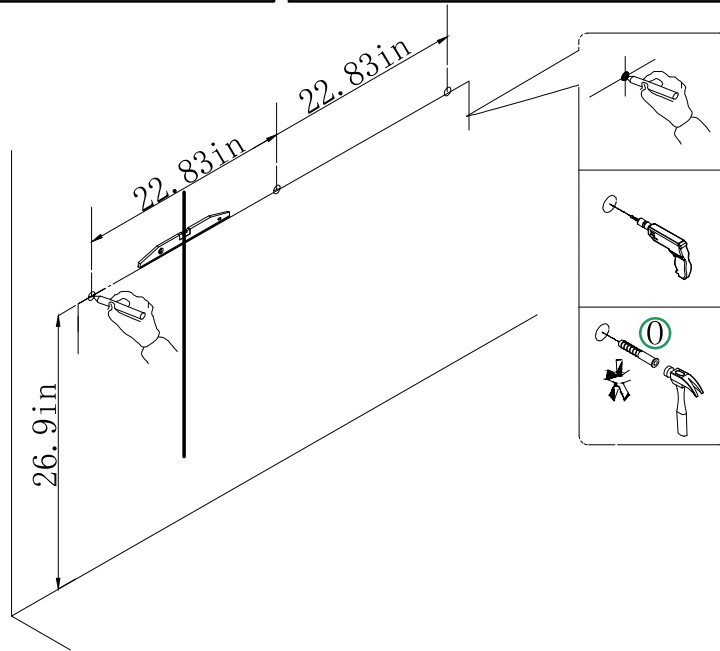
13



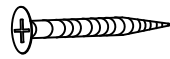
ⓐ 3PCS



16. Mark wall through cabinet holes. Drill and install anchors.



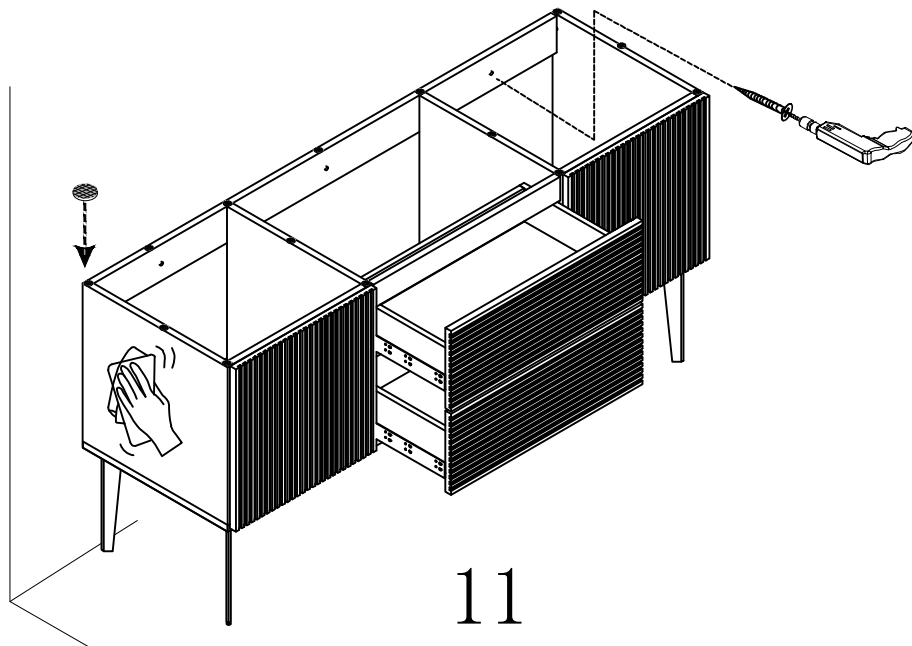
14



ⓐ 3PCS



ⓕ 14PCS



11

15

17. Apply structural adhesive to the top of the countertop.  
Bond the sink to the countertop.

