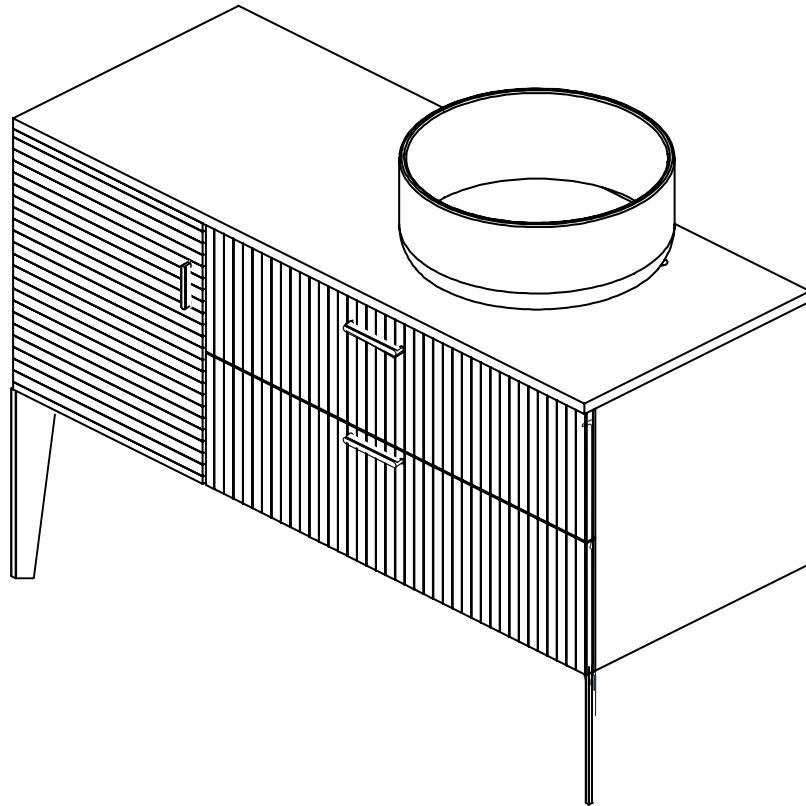


Bathroom Vanity Assembly Guide



Thank you for selecting our quality product. Prior to assembly, carefully inspect all packing materials for any loose parts. Separate and count all components, comparing them to the parts list provided.

Reminder

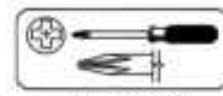
Refrain from tightening screws until assembly is complete. This ensures proper alignment and avoids any complications.



+



Tools Required



(Not included)



(Not included)

IMPORTANT:
PLEASE READ INSTRUCTIONS BEFORE STARTING THE ASSEMBLY.

Thank you for choosing our products. Please review the installation manual carefully before assembly, following the step-by-step instructions for accessories and hardware. Our detailed guidance ensures a smooth assembly process.

Our products are environmentally friendly. To maintain their quality, avoid submerging them in water, placing heavy items on them, or applying excessive force. If you encounter any issues, please contact us for assistance.


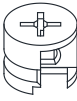
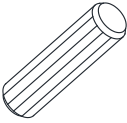


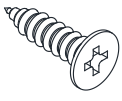
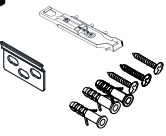

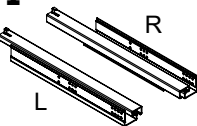
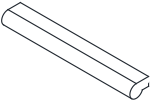
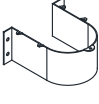
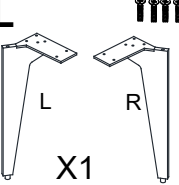

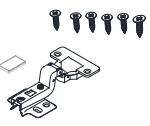
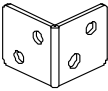
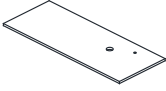

We appreciate your purchase. Thank you.

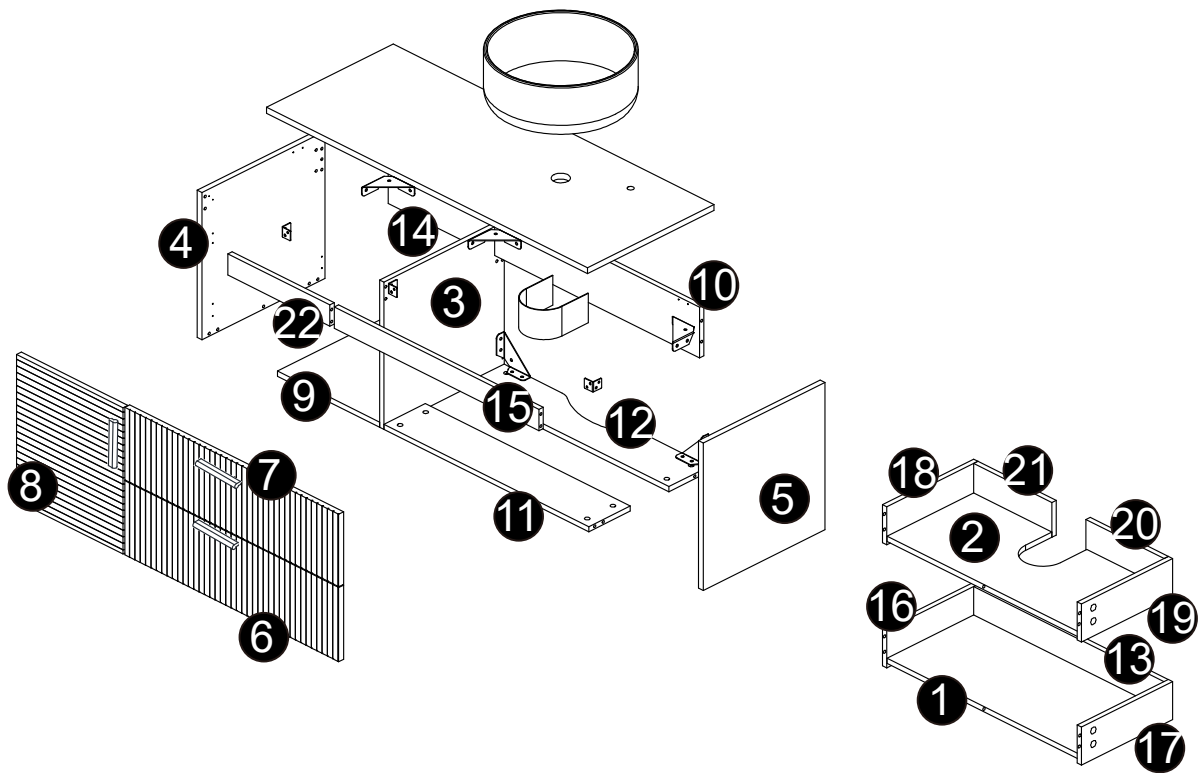
VANITY CABINET

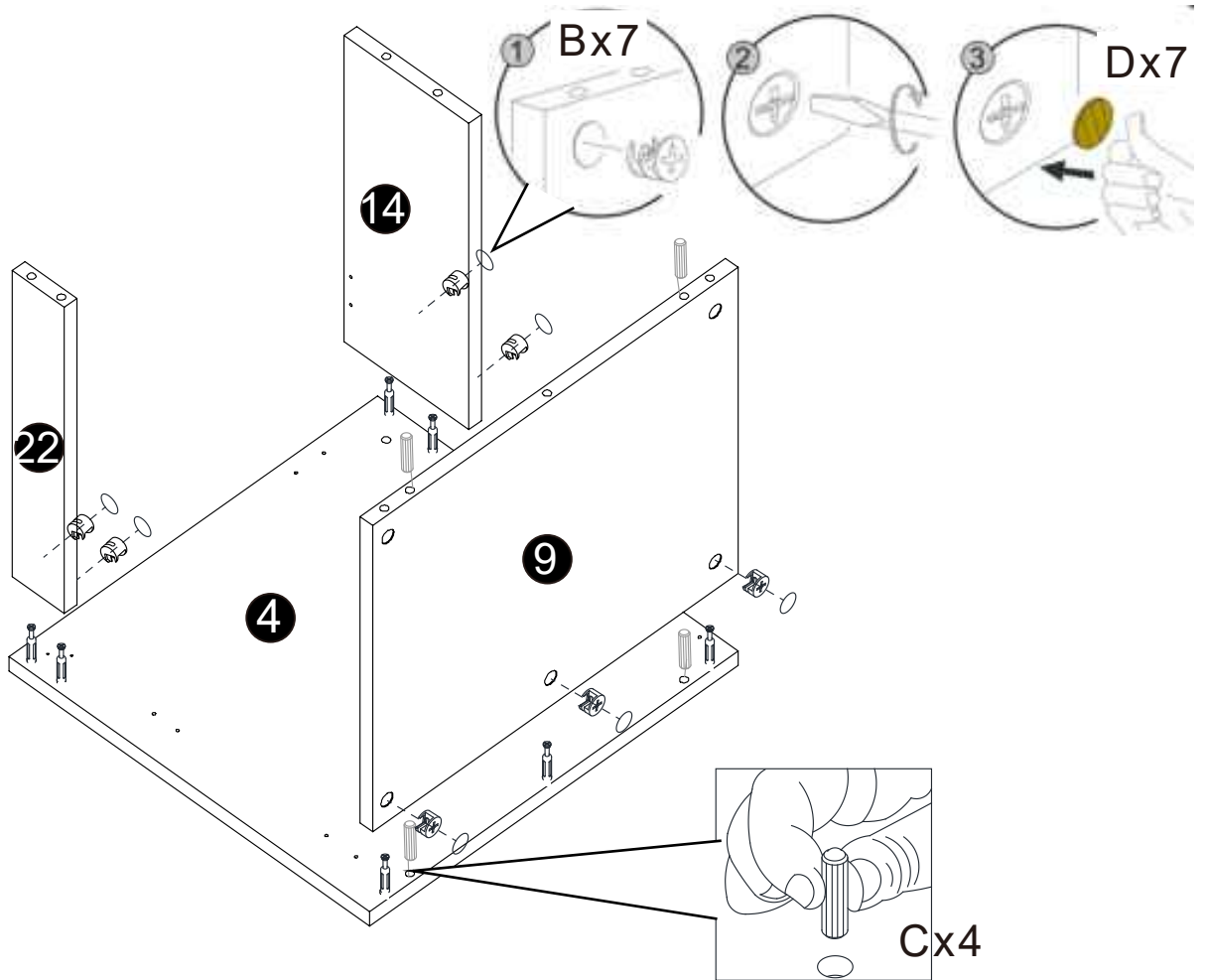
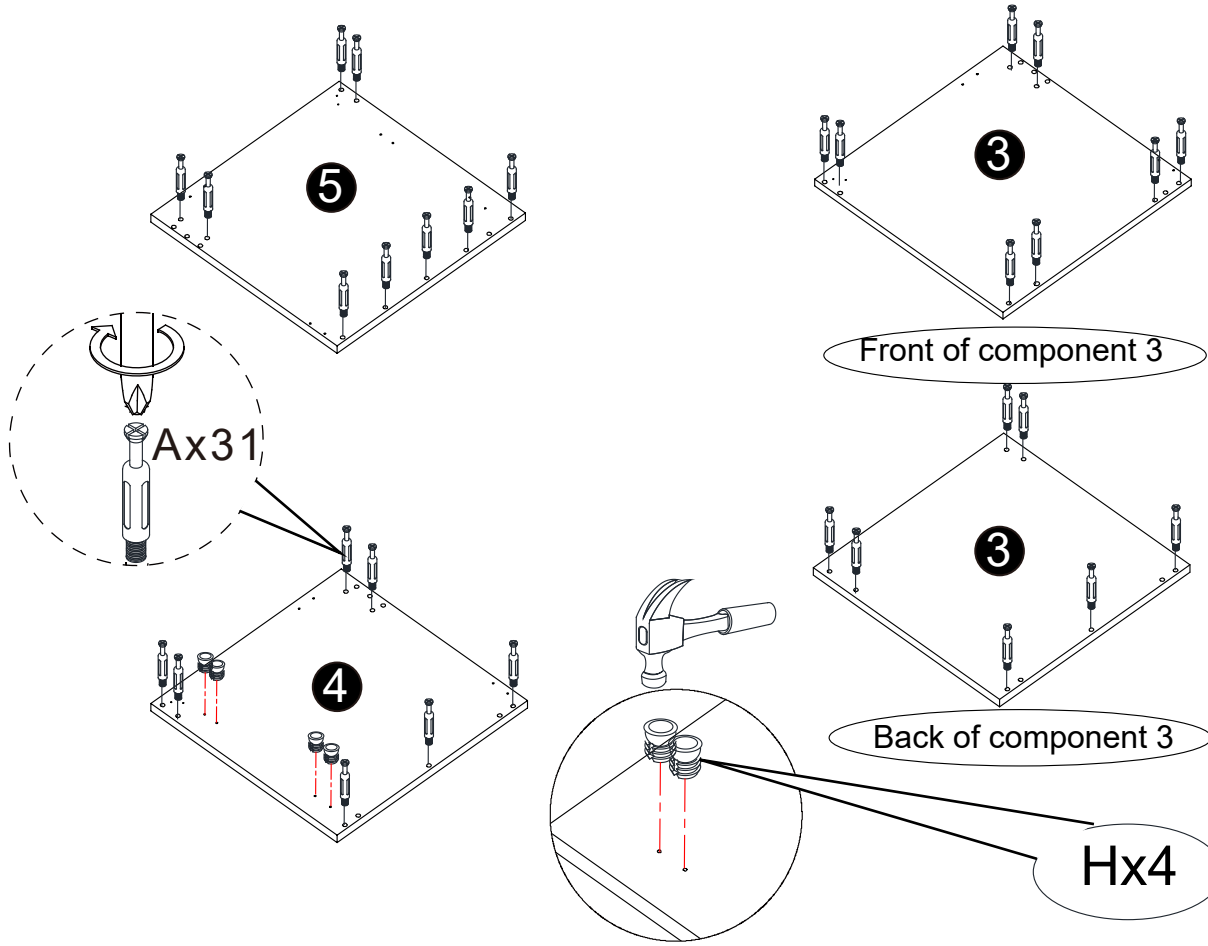
OUTILS NÉCESSAIRES
TOOLS REQUIRED



INSTALLATION GUIDE

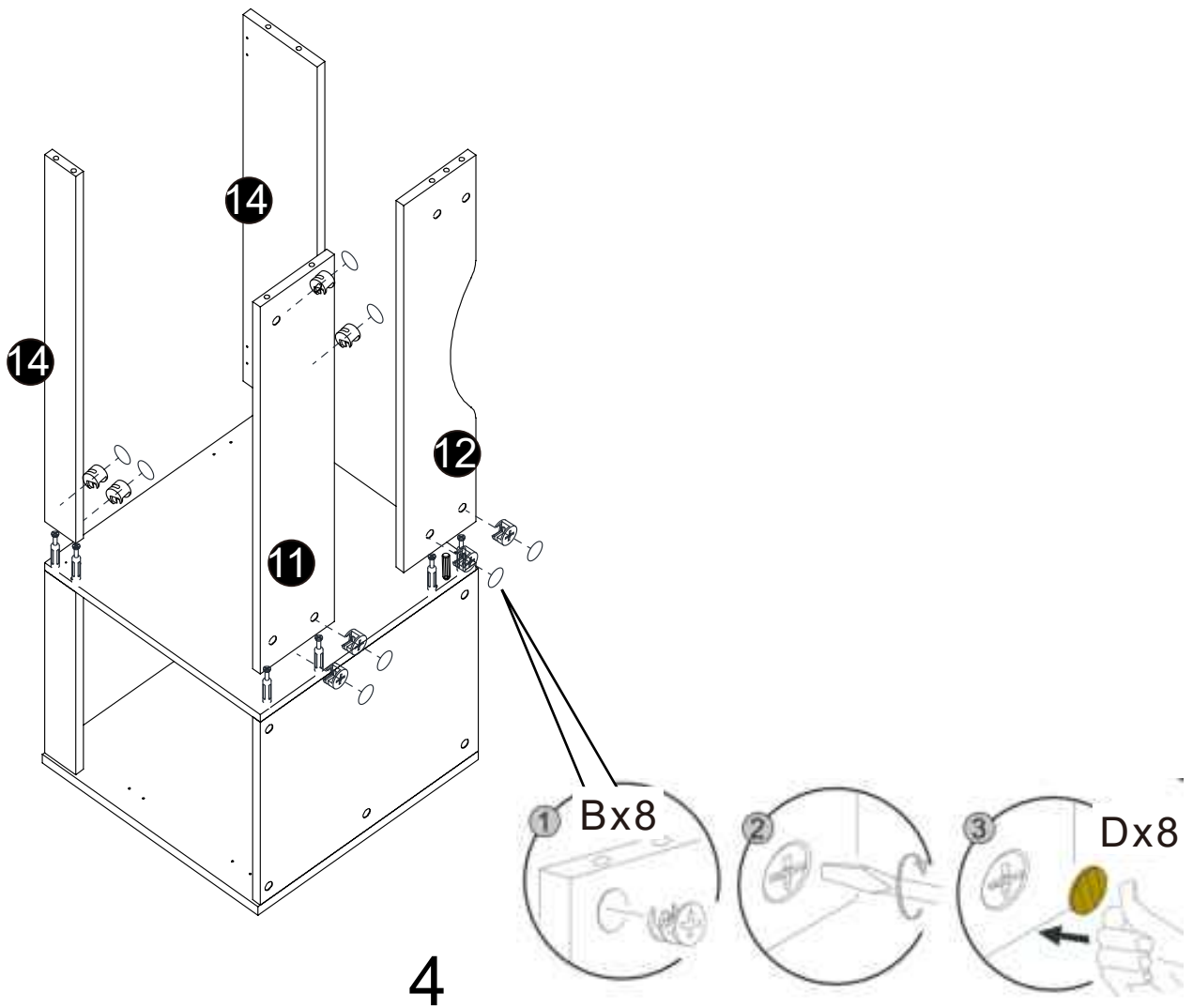
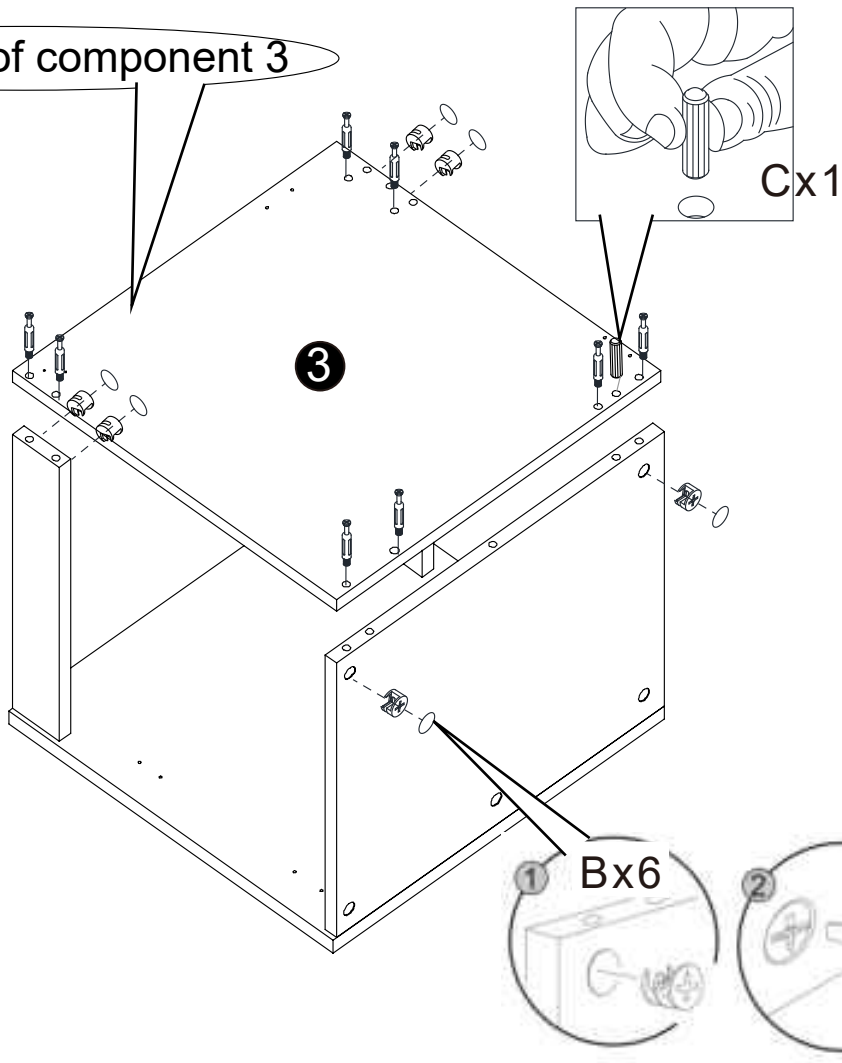
A  X59	B  X59	C  X18	D  X50	E  X6	F  ST4*16 X79	G  X3
H  X12	I  L R X2	J  X3	K  X1	L  L R X1	M  X10	N  ST4*14 X2
O  X3	P  X1	Q  X1				

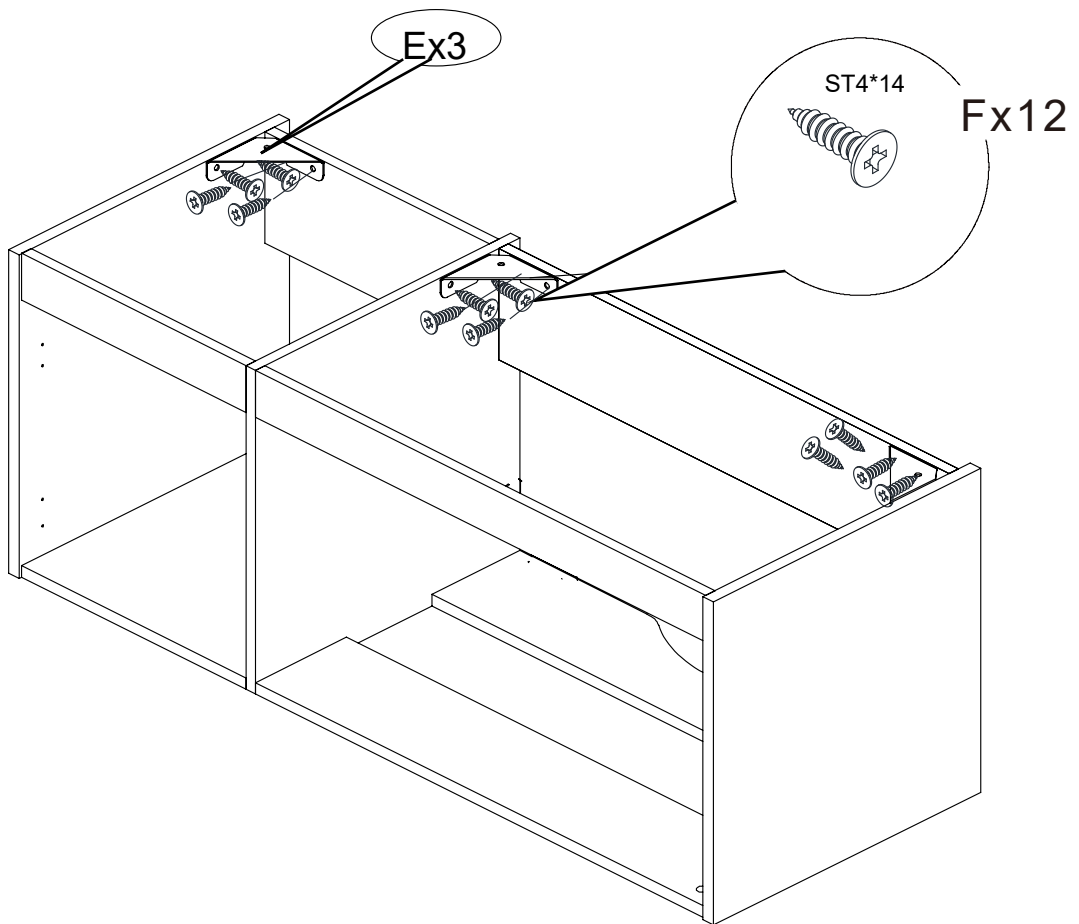
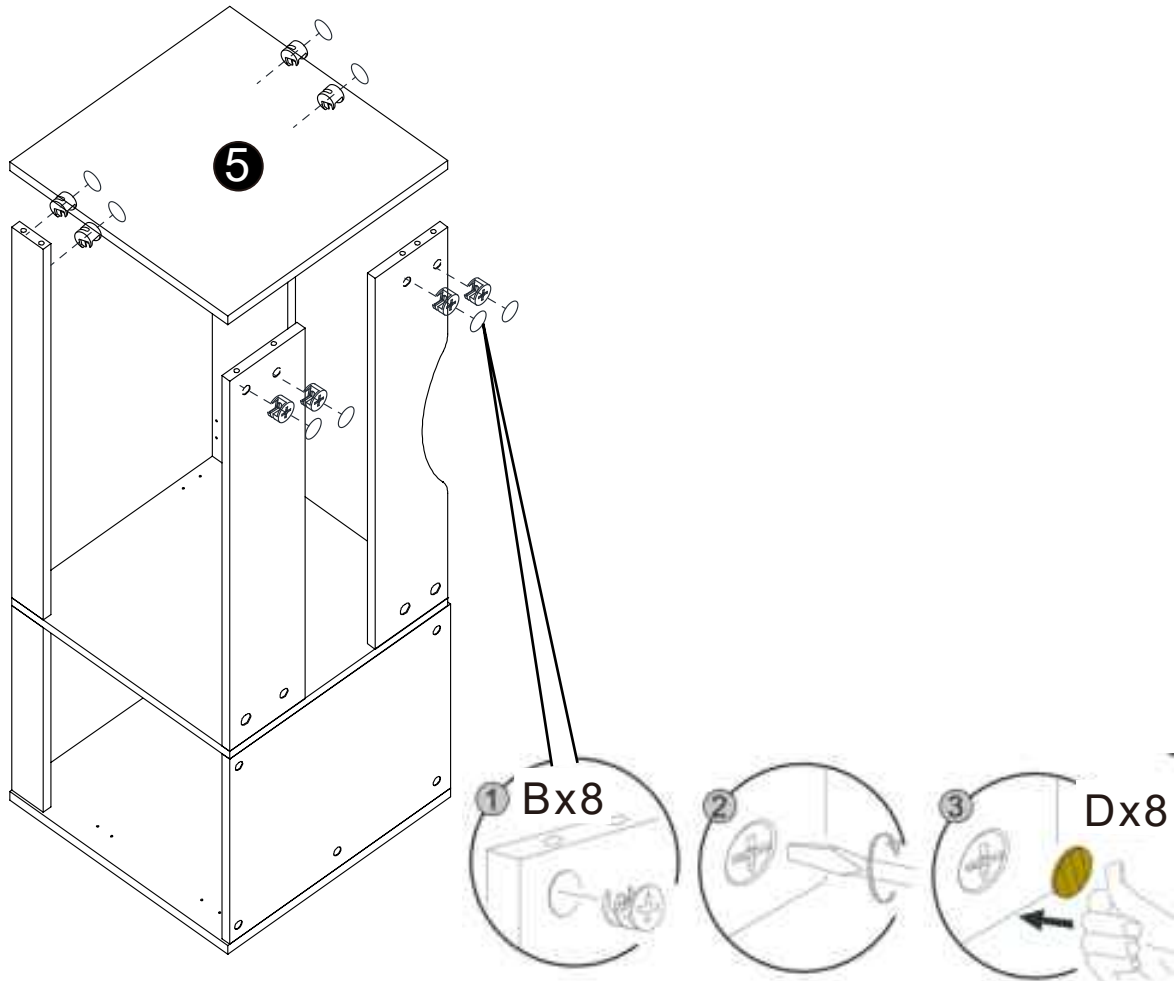


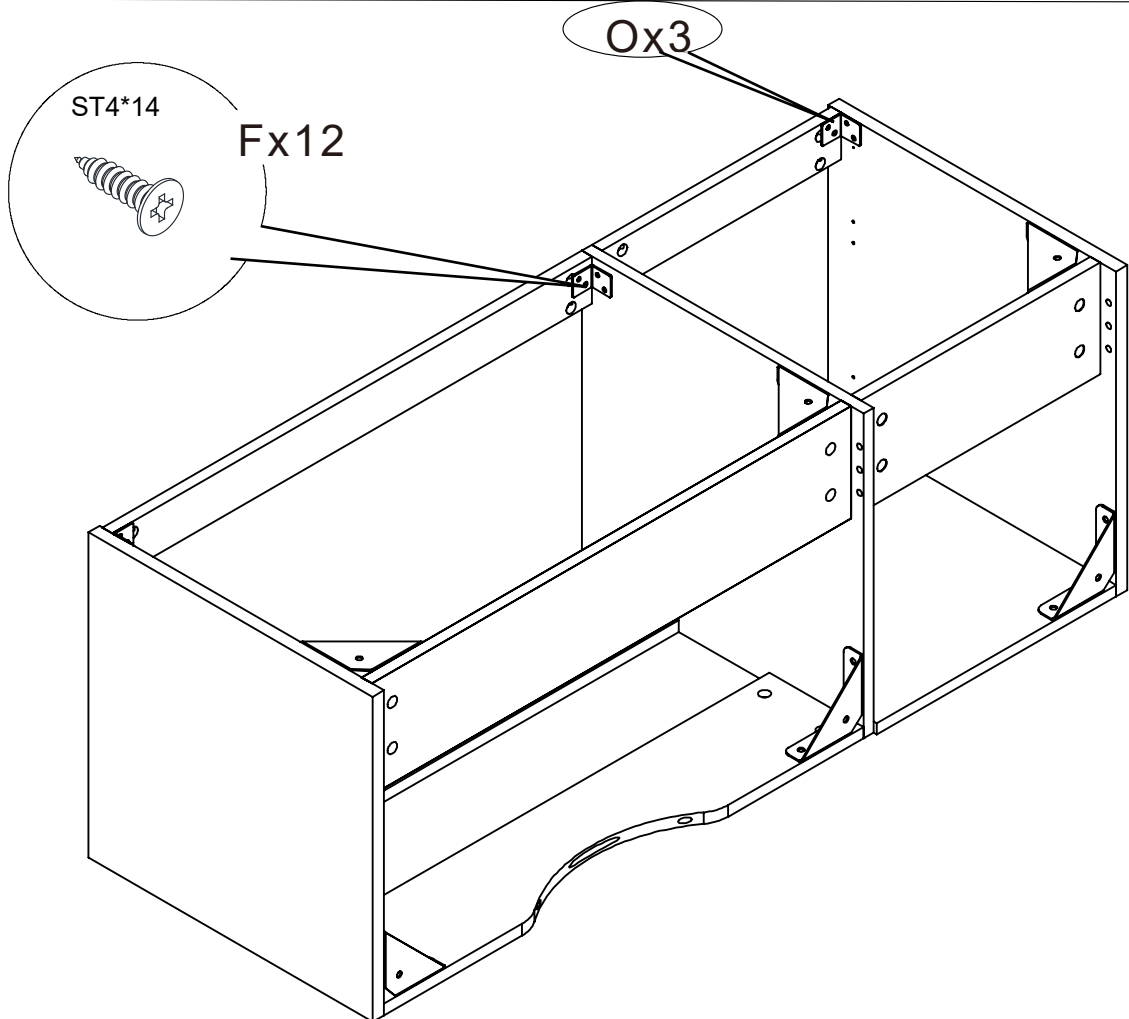
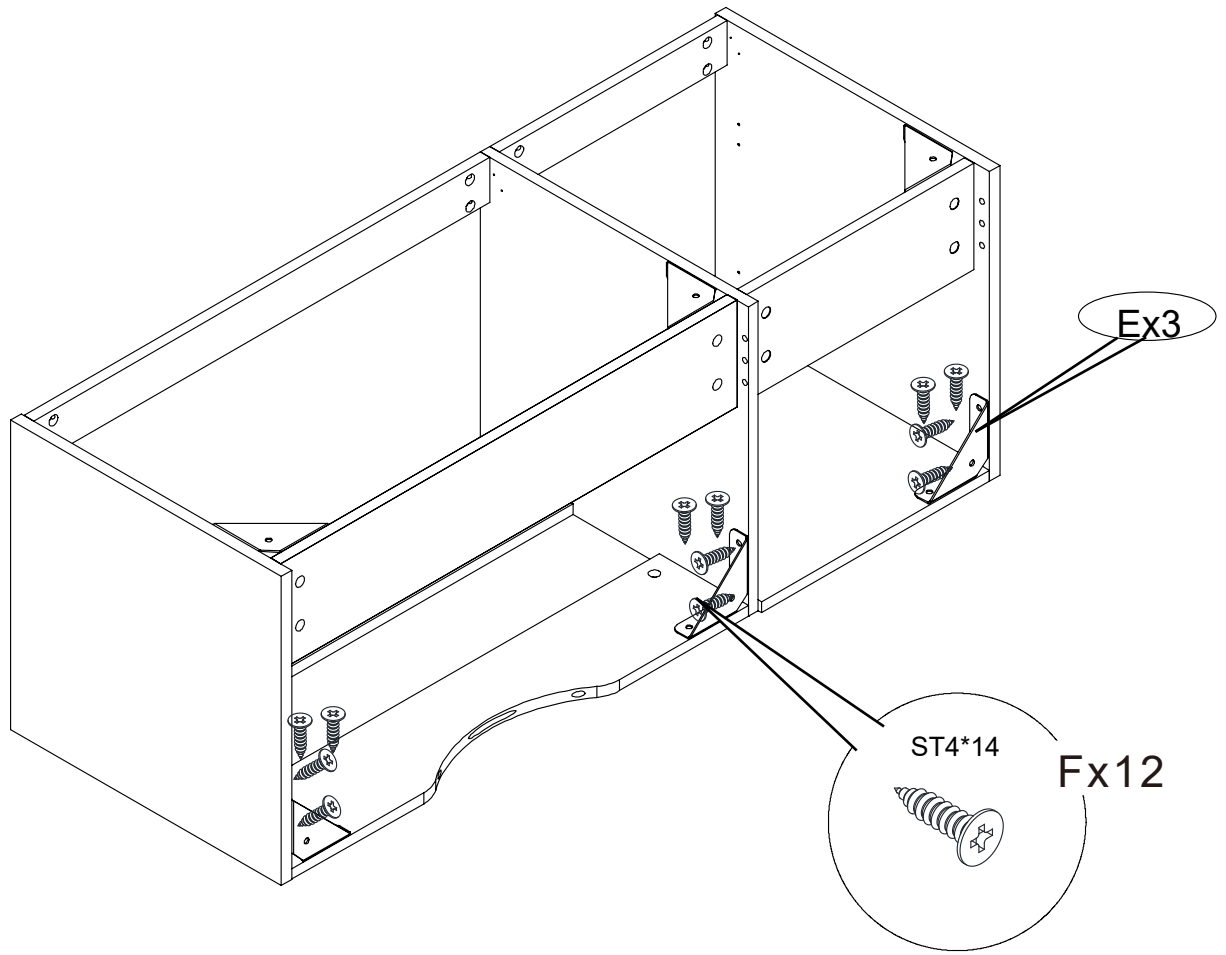


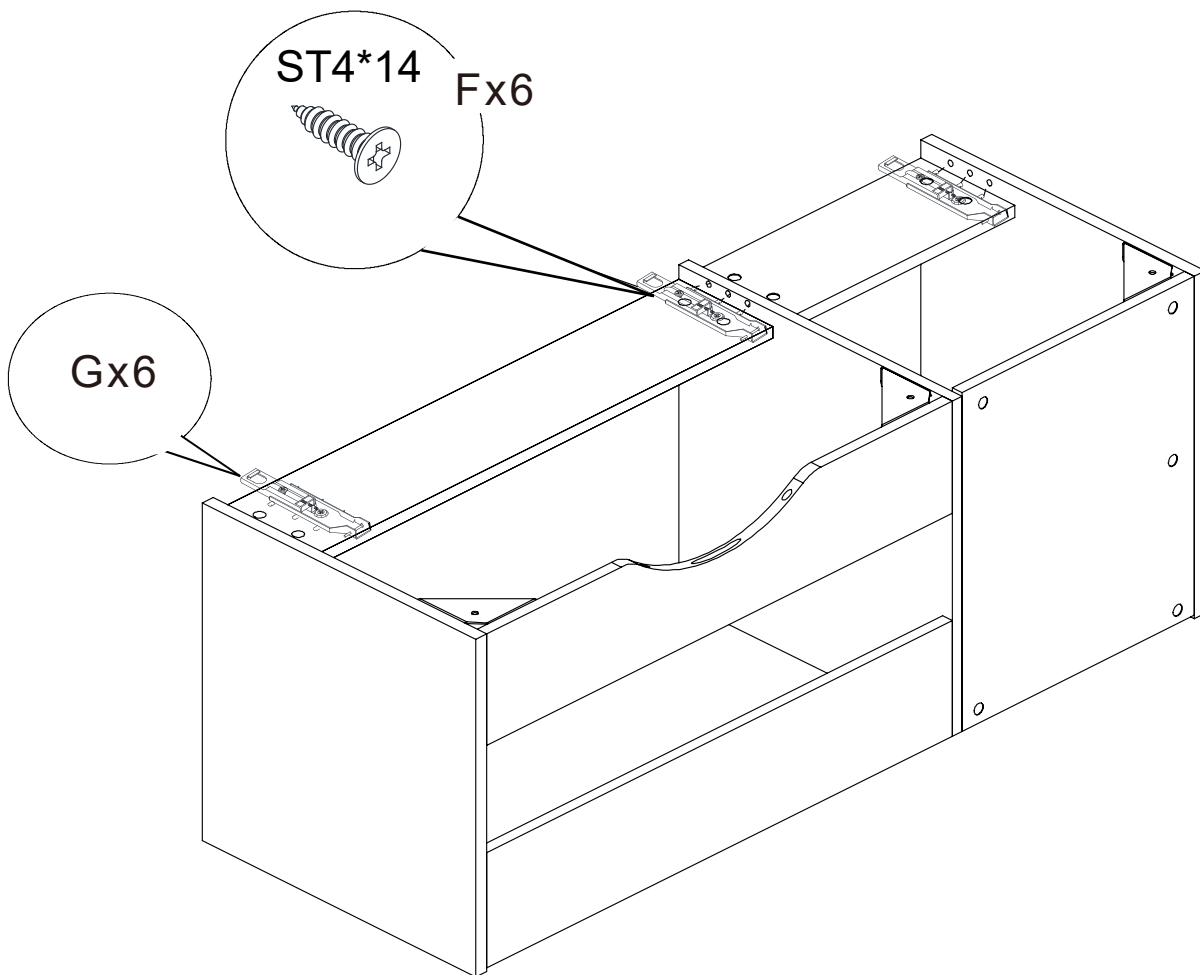
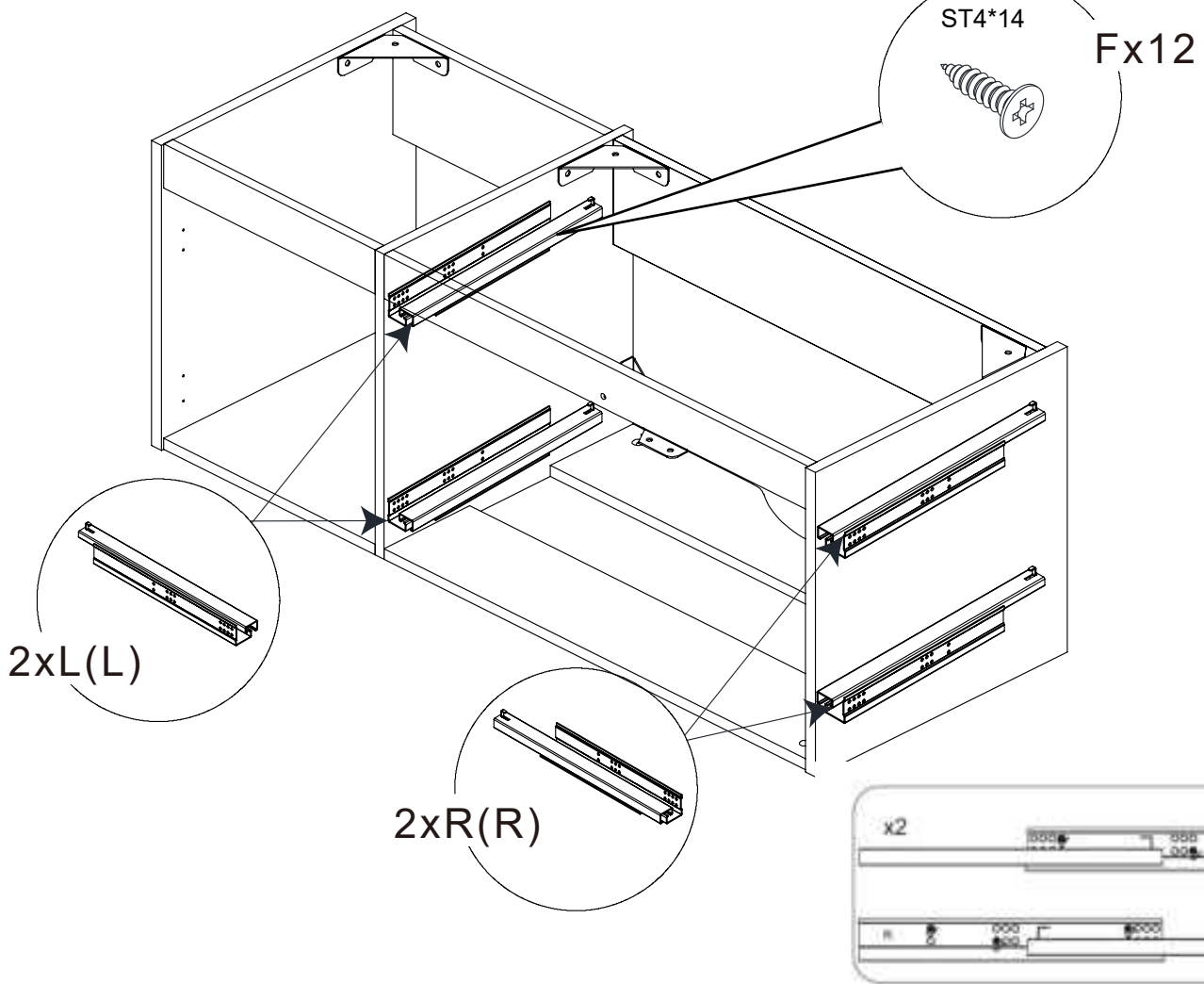
3

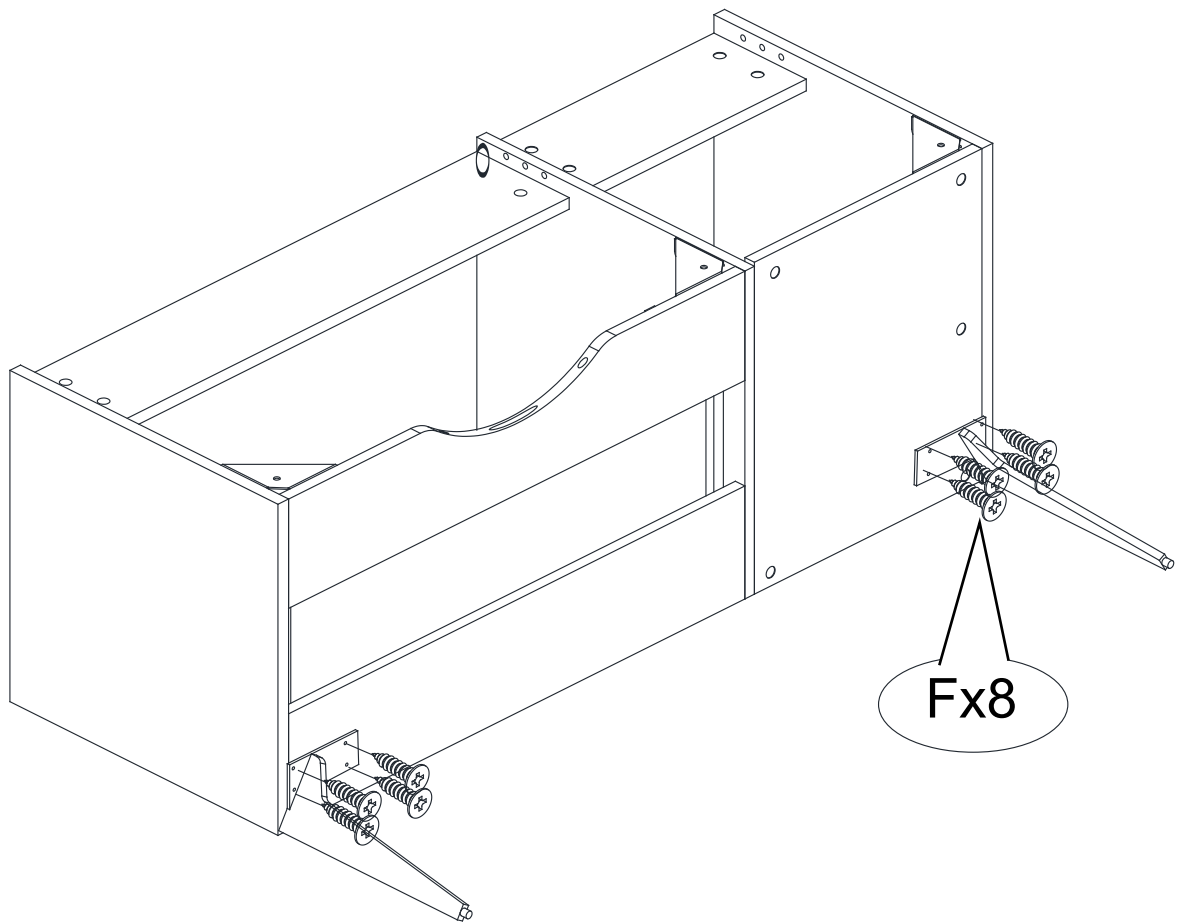
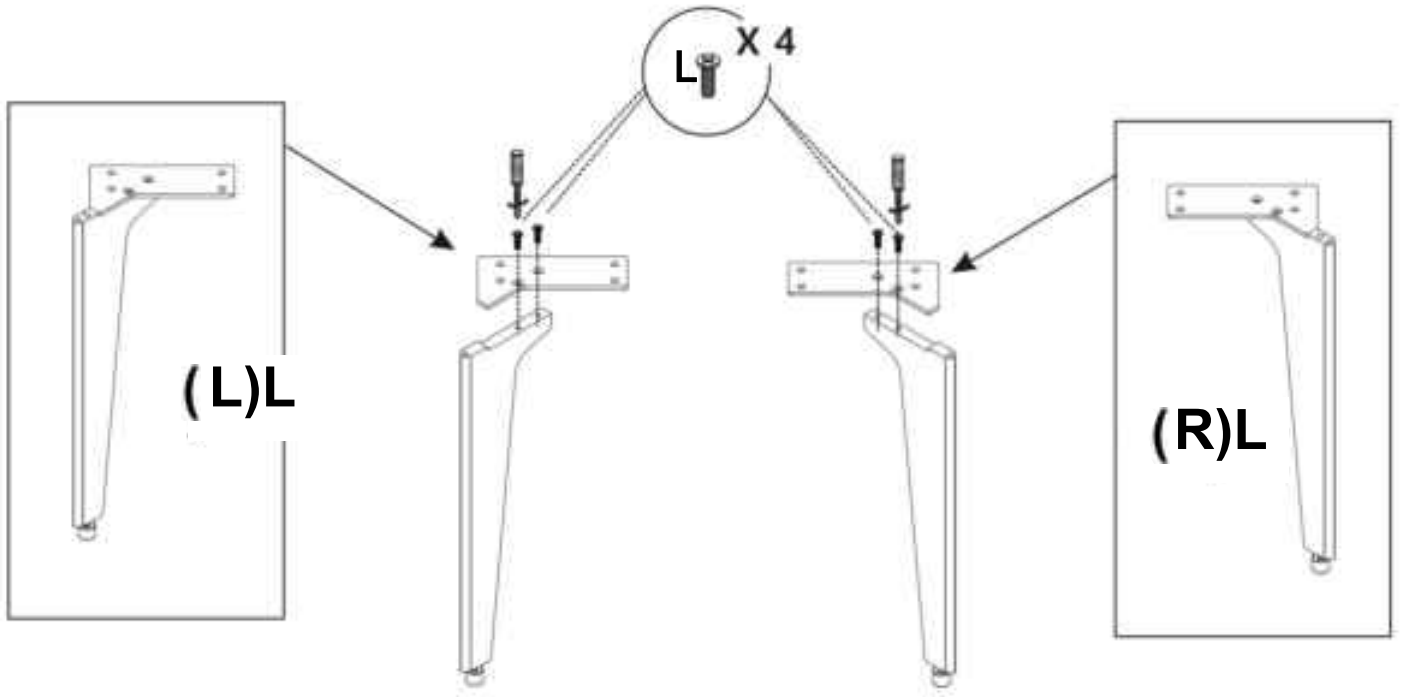
Note: Front of component 3



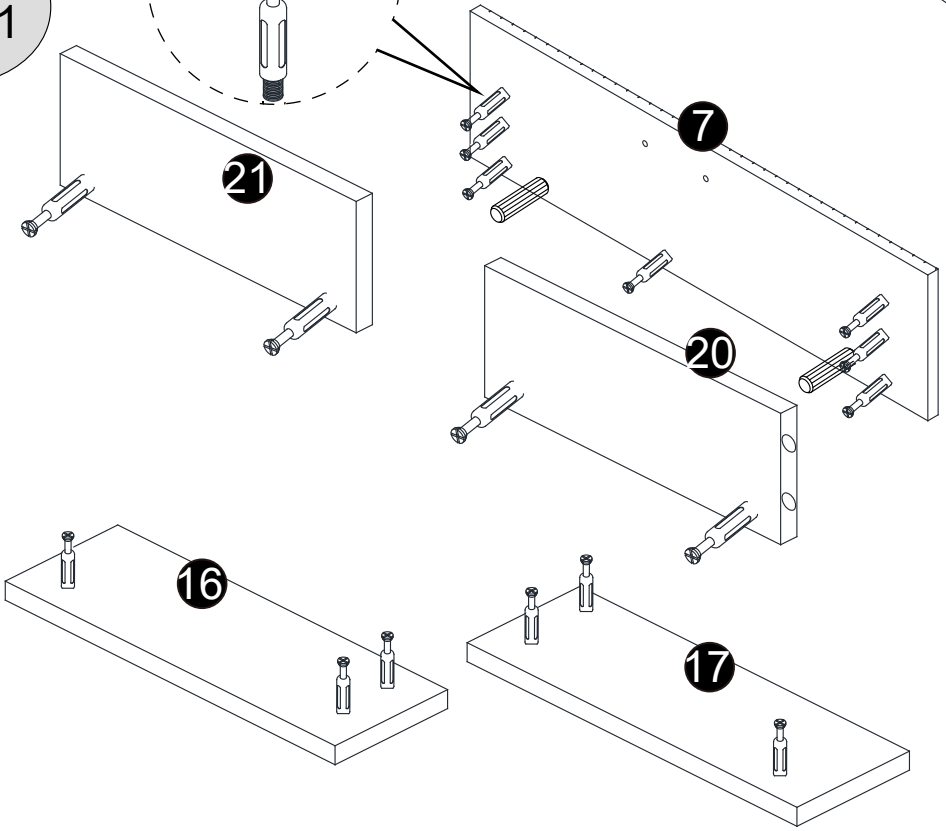
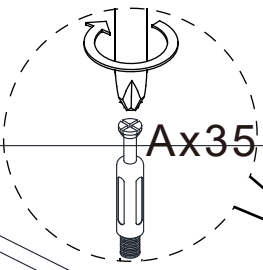




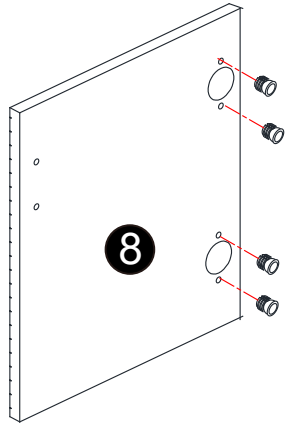
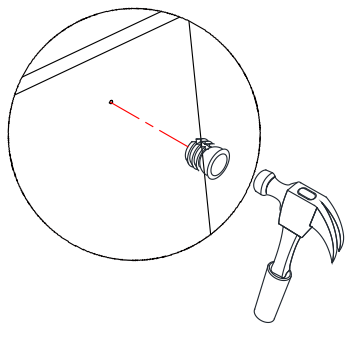




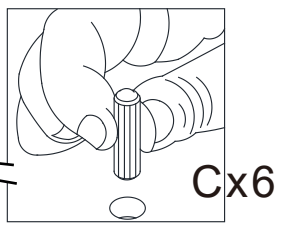
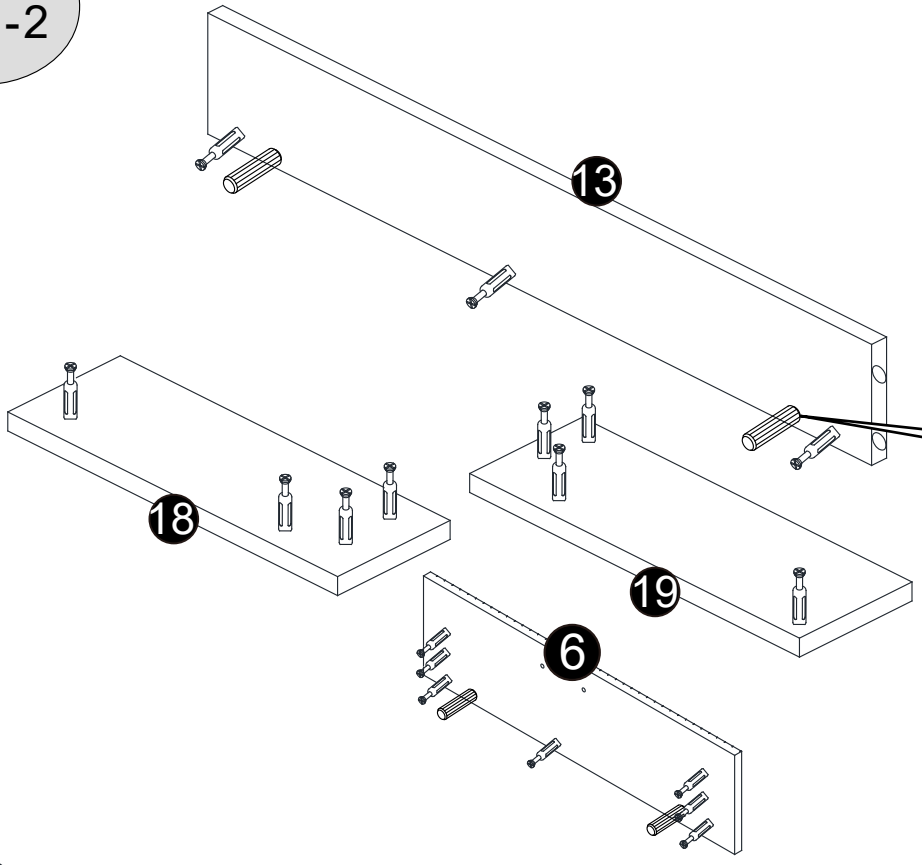
9-1

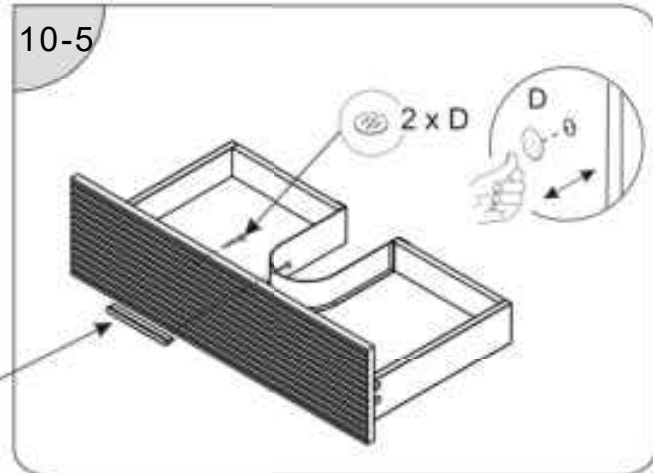
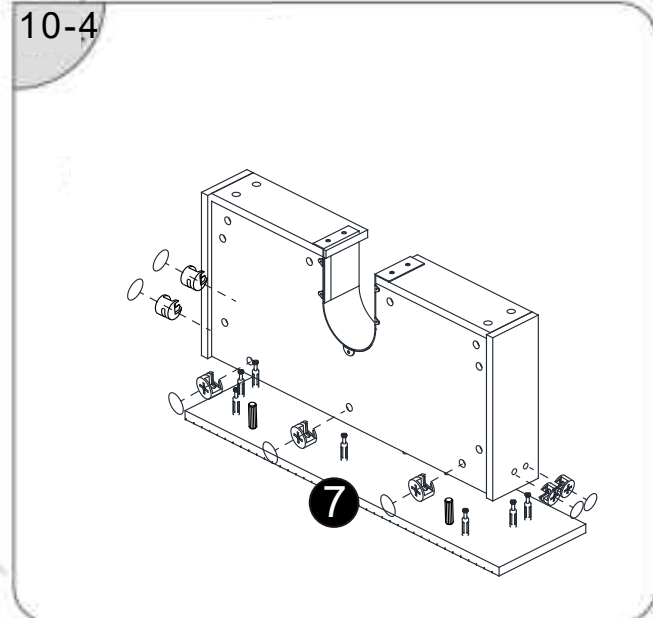
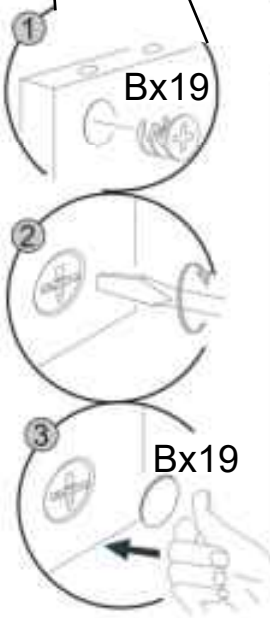
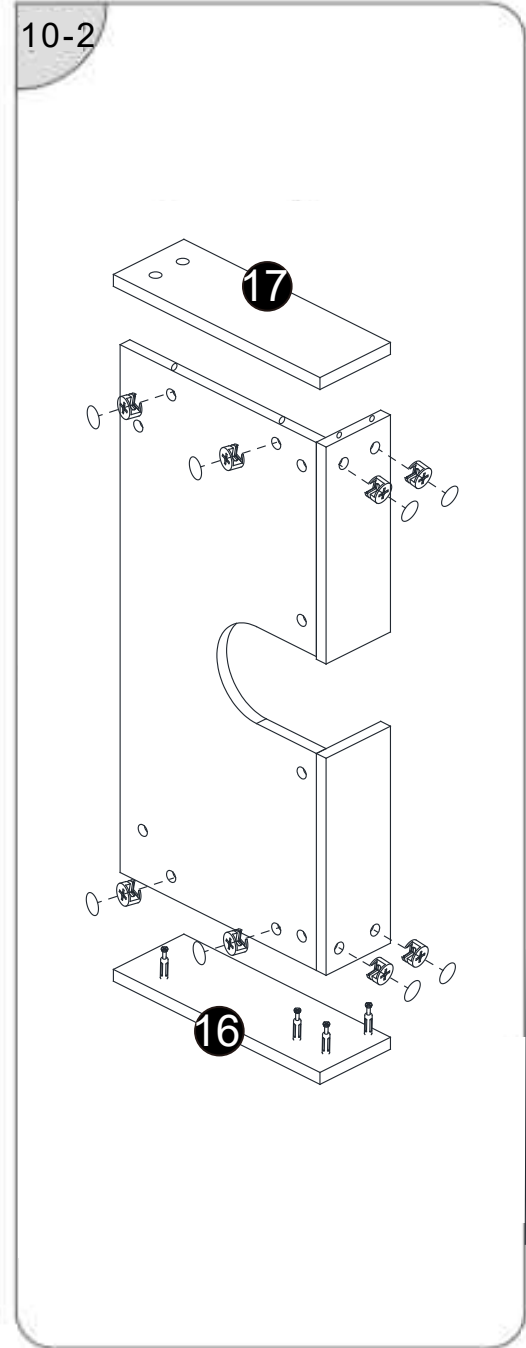
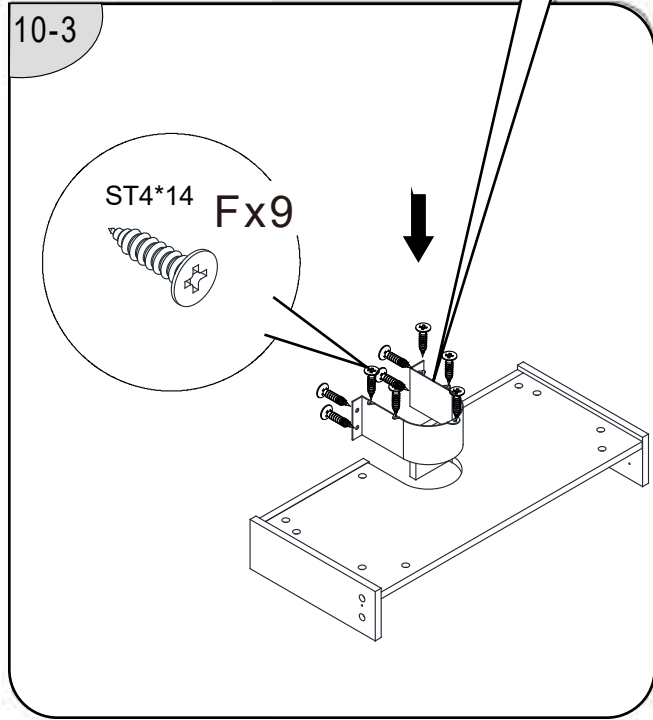
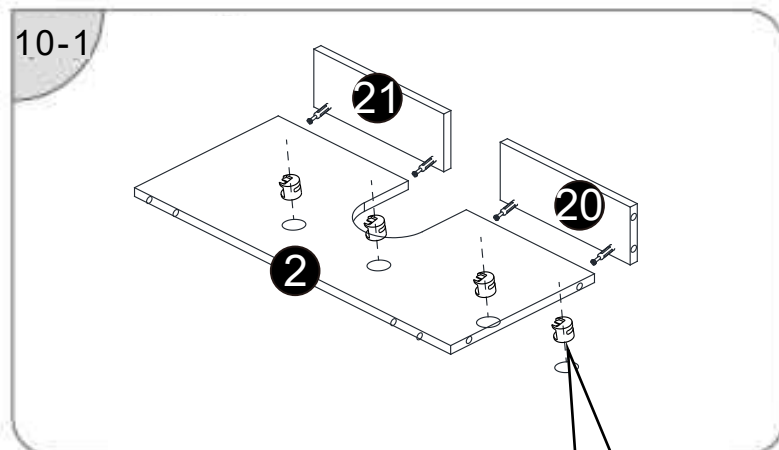


9-3

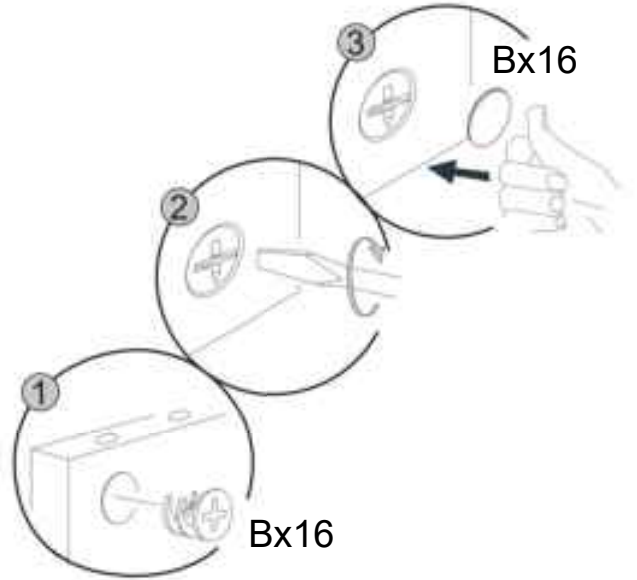
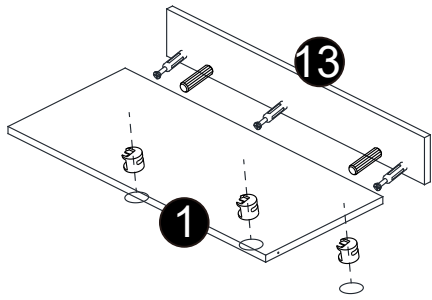


9-2

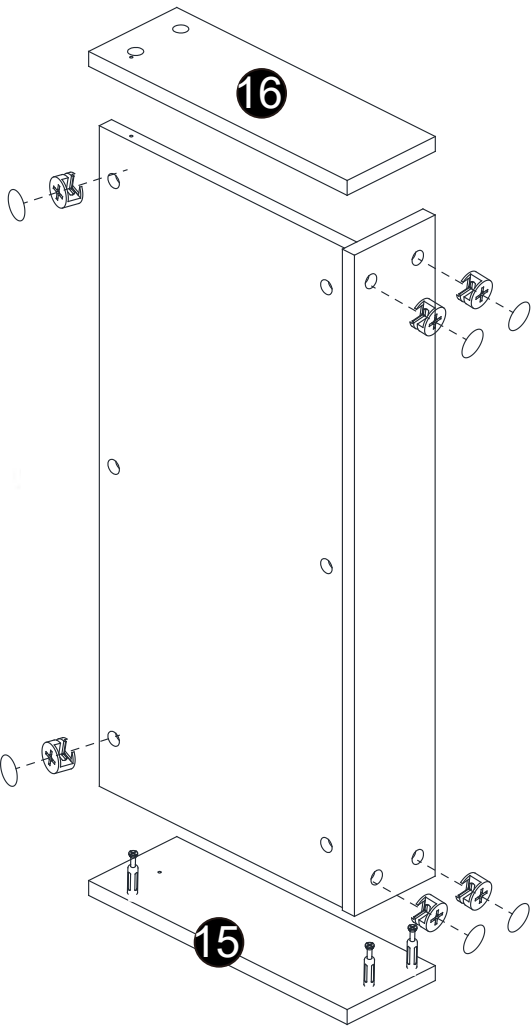




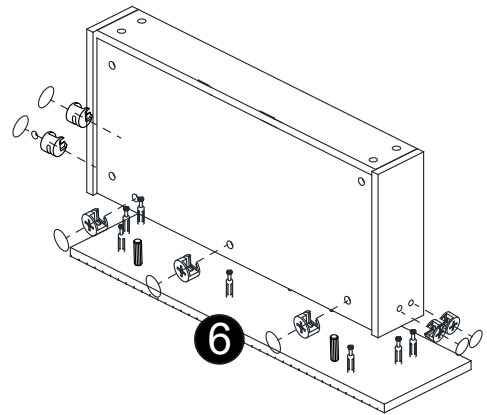
11-1



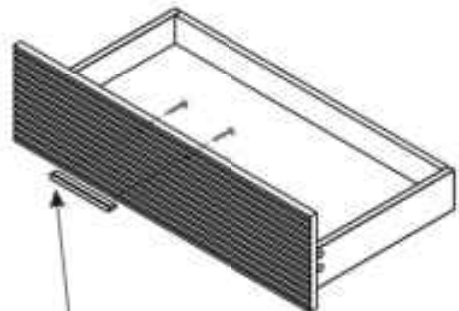
11-2



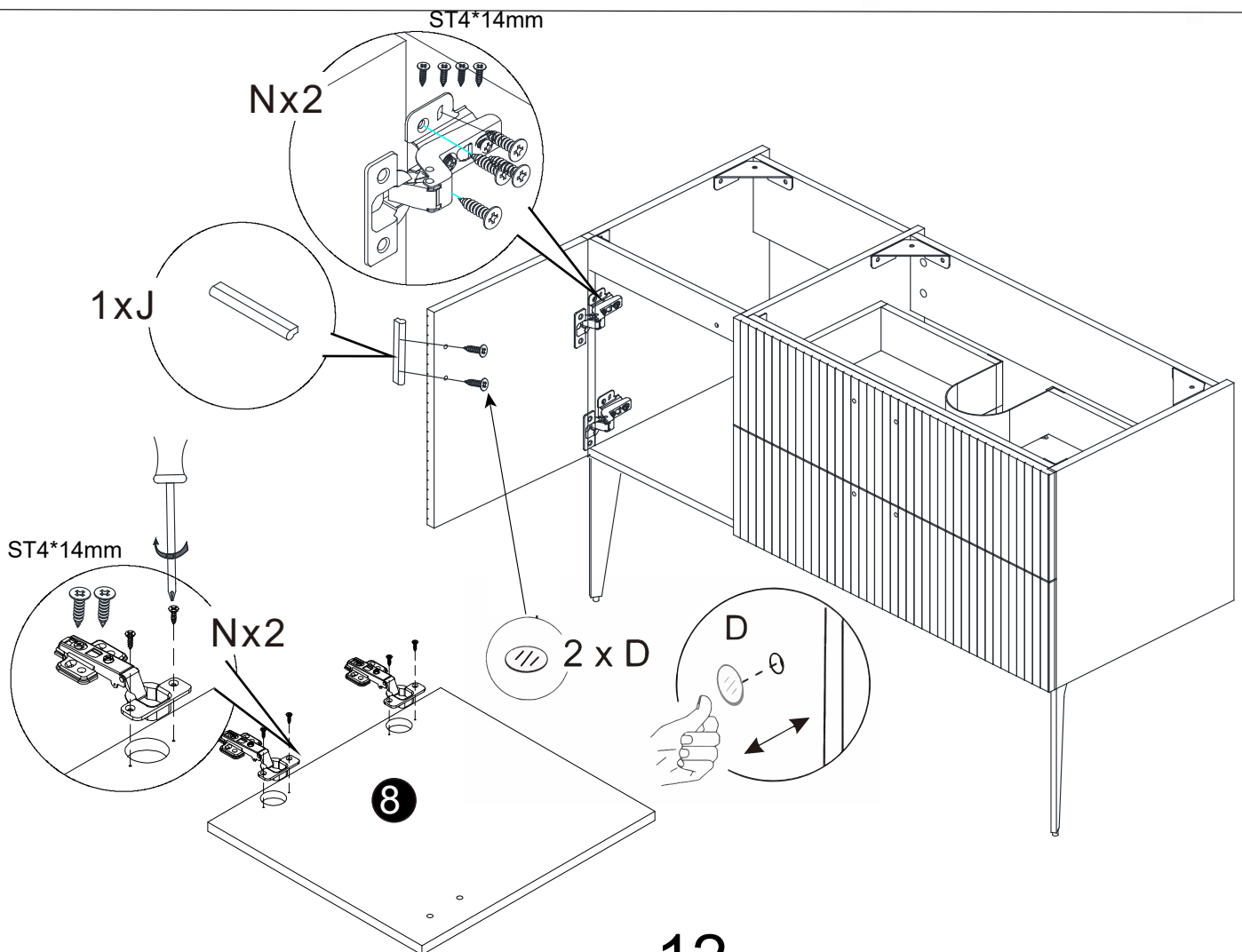
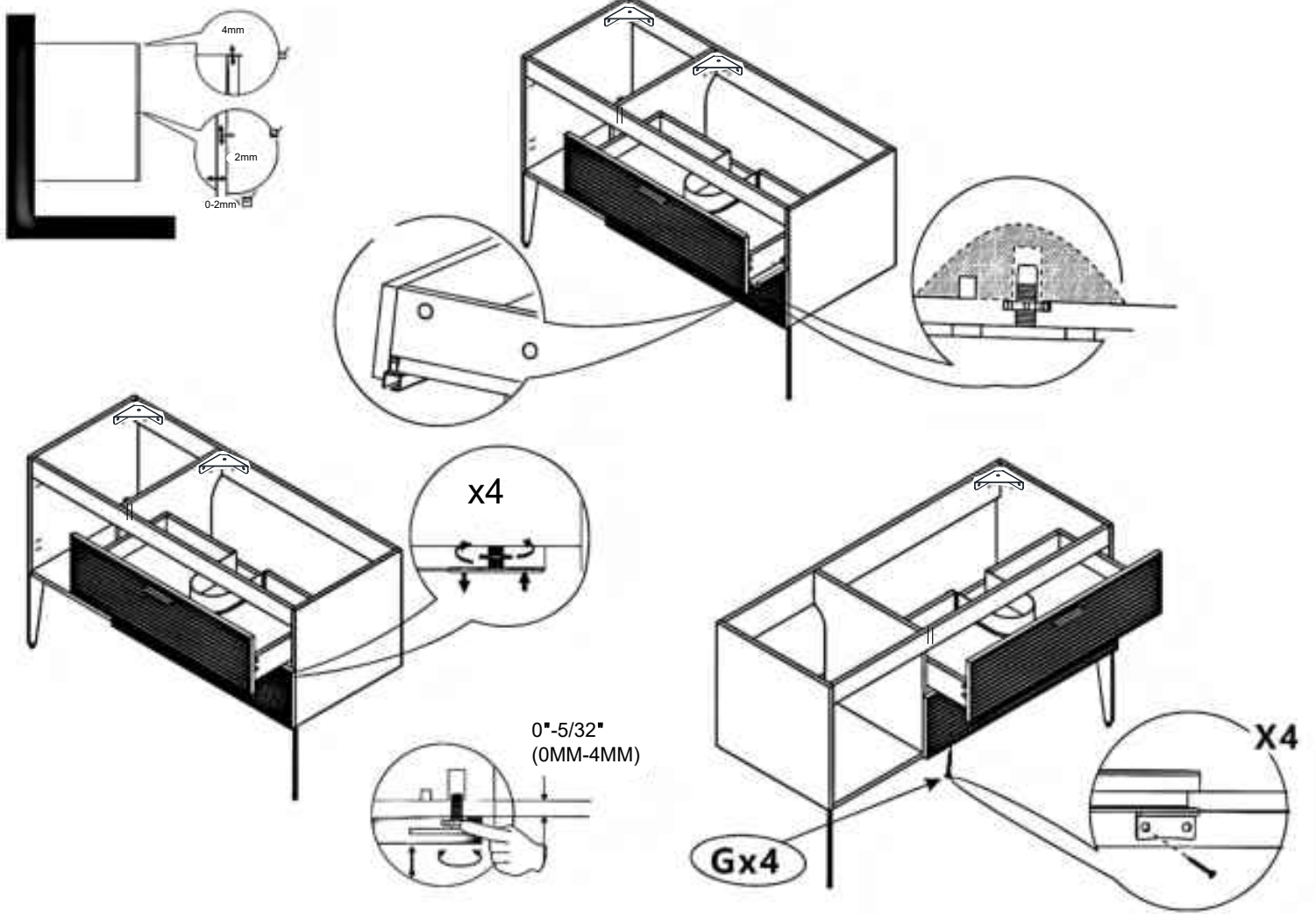
11-3

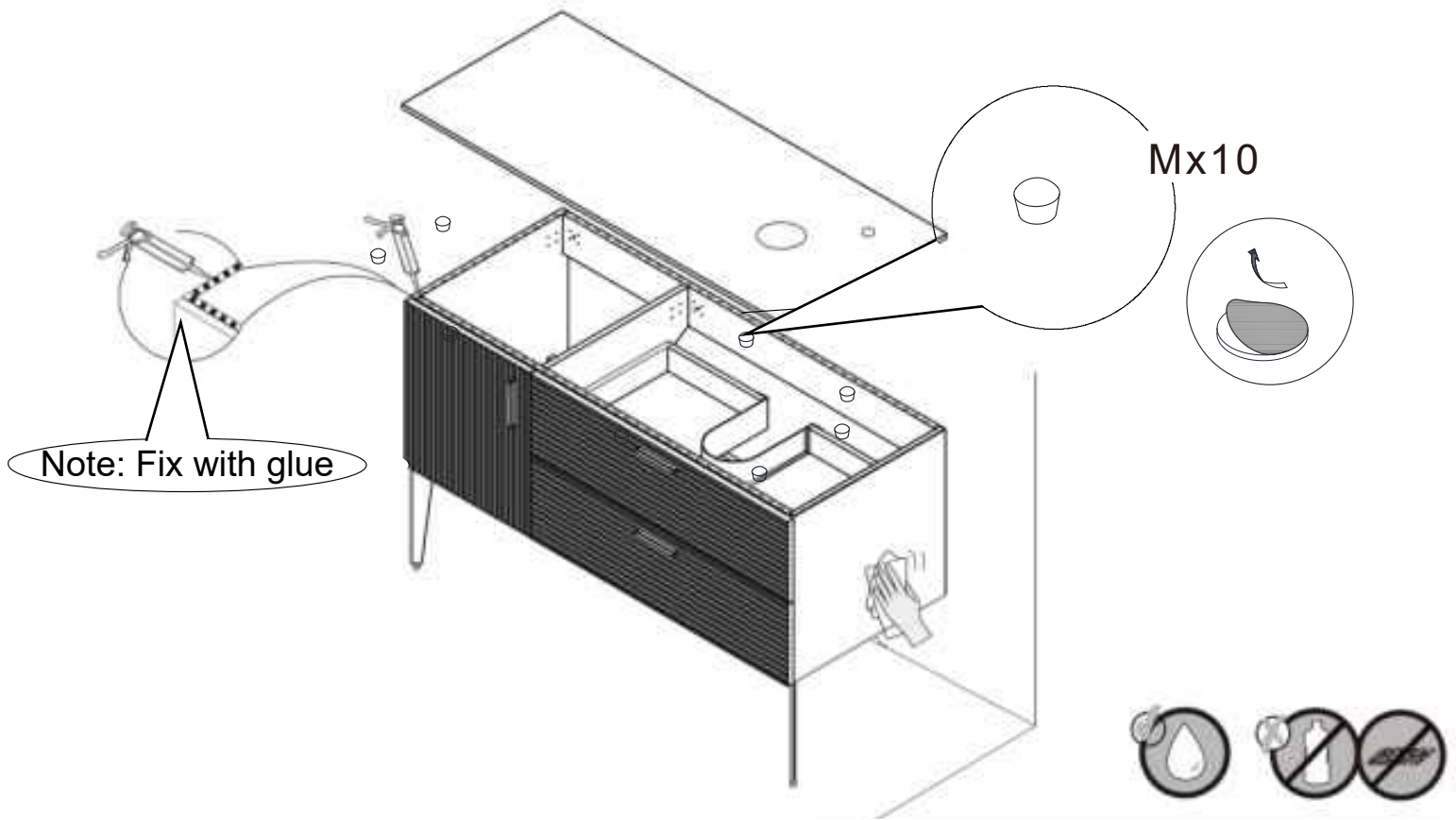


11-4

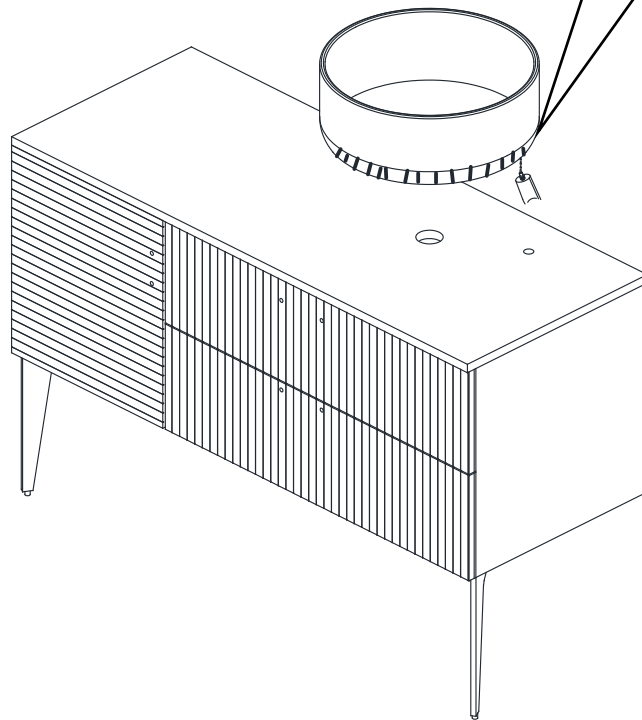


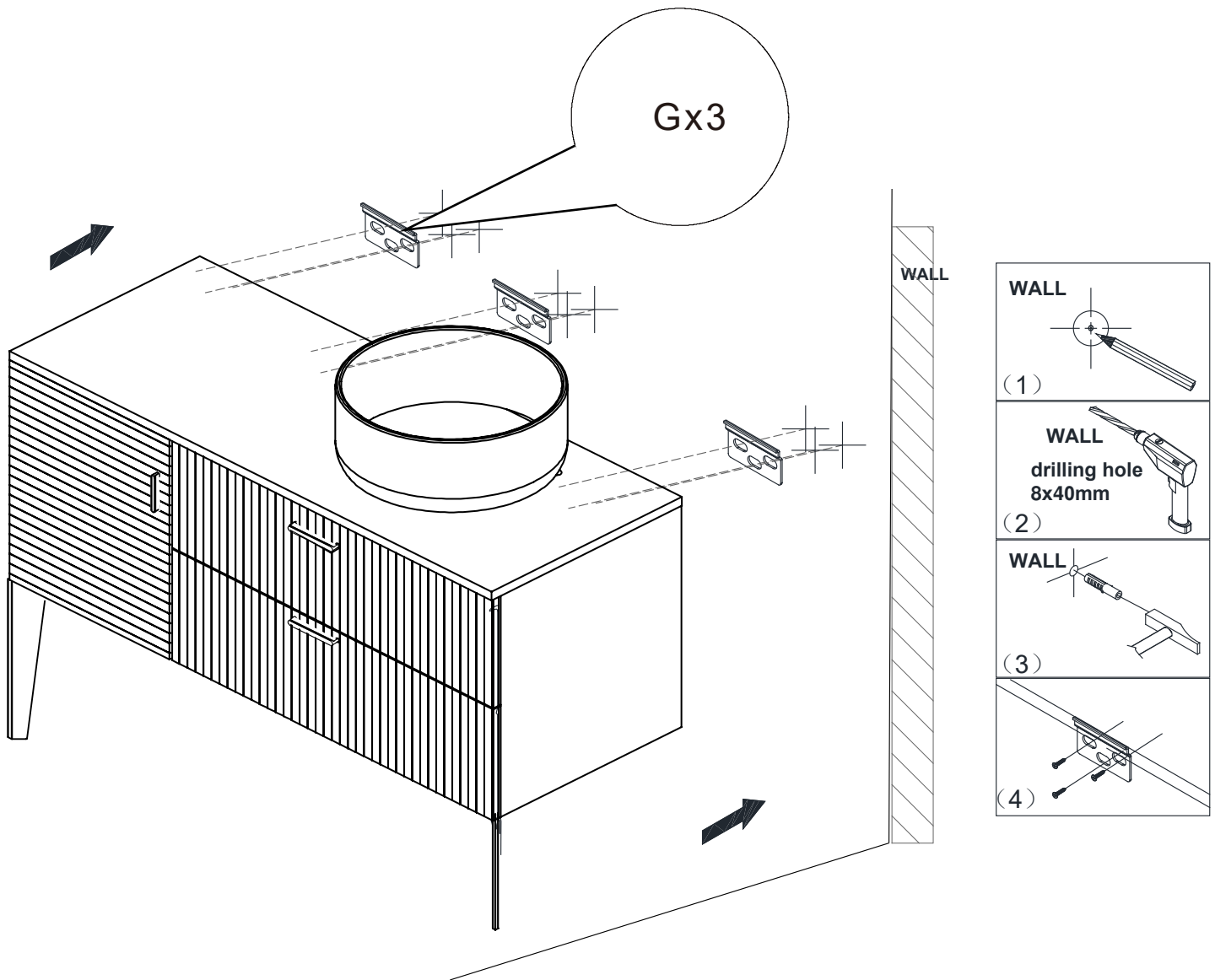
1 x J





Note: Apply glue to the bottom plate of the sink





Note: Drill holes and assemble hanging codes on the wall as needed

***CAUTION:** THE SIZES PROVIDED HEREIN ARE NOT INTENDED AS FINISHED CUT SIZES. NEVER INSTALL UNLESS YOU ARE IN POSSESSION OF THE PRODUCT. MEASUREMENTS MAY VARY AS A RESULT OF IMPROVEMENTS MADE TO THE PRODUCT OVER TIME. NEITHER THE MANUFACTURER NOR THE DISTRIBUTOR SHALL BE LIABLE FOR VARIANCES BETWEEN THE MEASUREMENTS SHOWN HERE AND THE PRODUCT'S ACTUAL MEASUREMENTS. THIS PRODUCT SHOULD BE INSTALLED BY A CERTIFIED PROFESSIONAL, IN ACCORDANCE WITH THE REGULATIONS IN EFFECT.