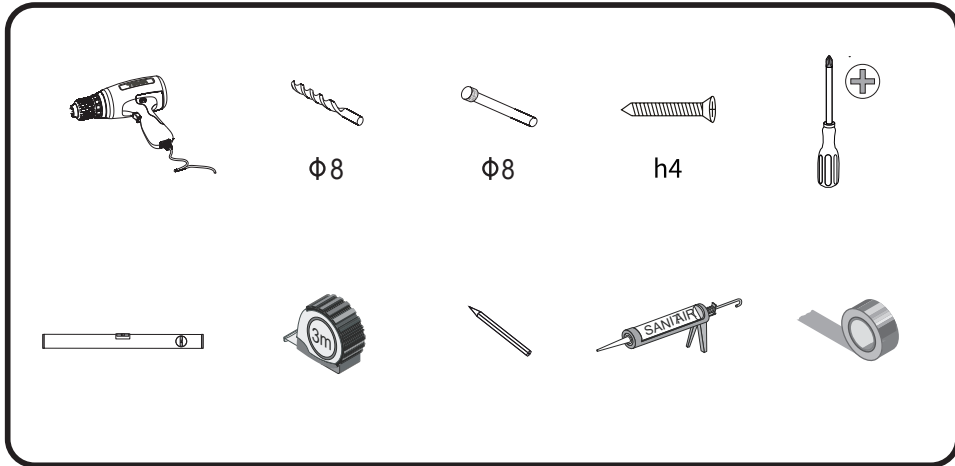




# Installation Manual

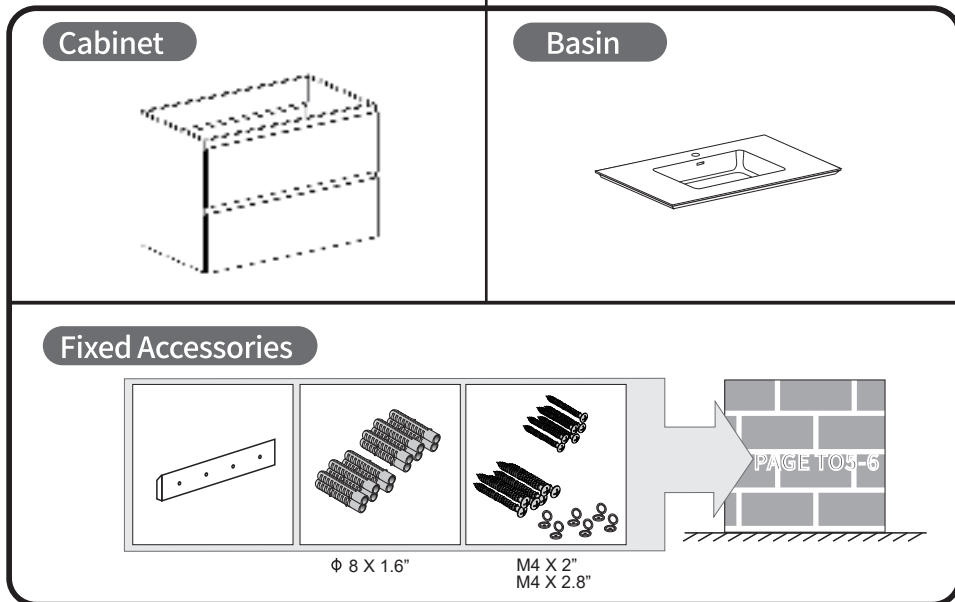
1、 Parts List	01
2、 Installation instructions	03
3、 Installation Instructions	05
4、 Installation & adjustment of drawer	07
5、 The way to take off the drawer	08

## Tools List



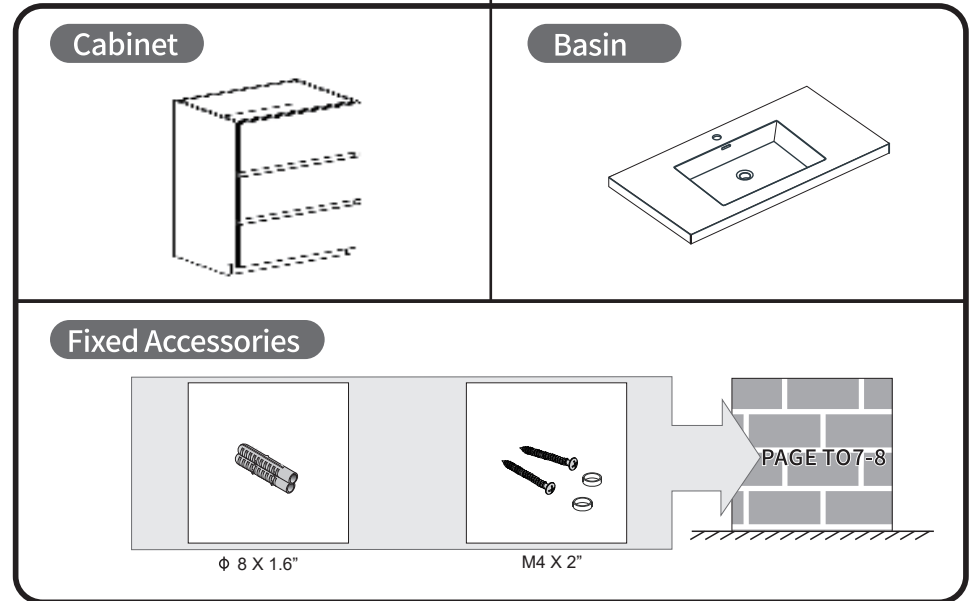
## Parts List

### Wall mounted system

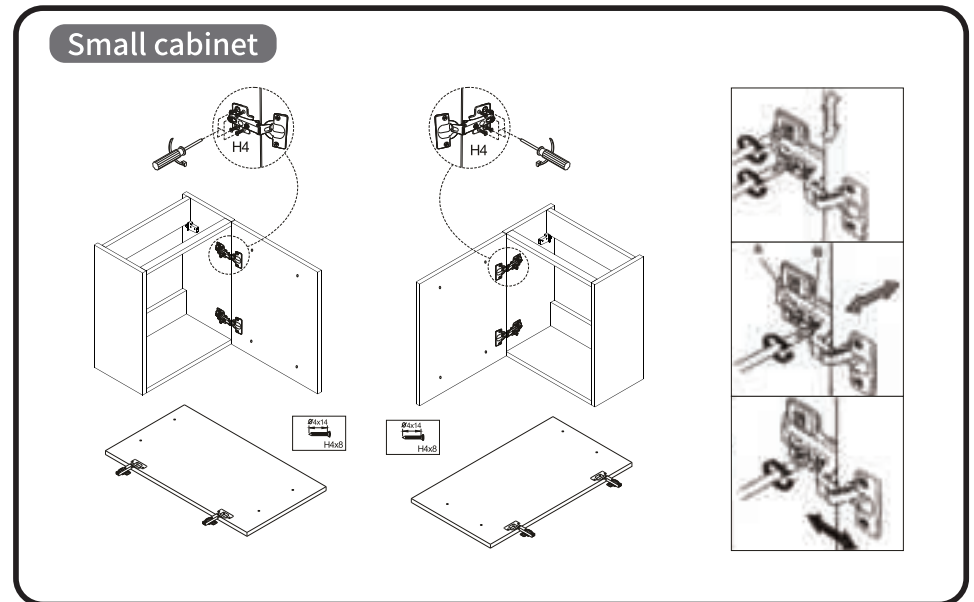


## Parts List

### Floor standing system

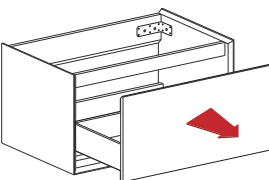
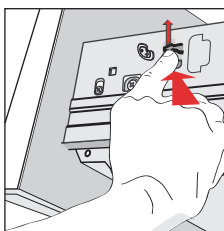
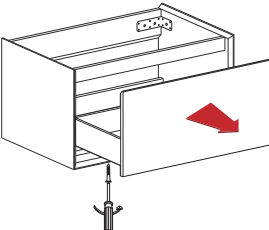
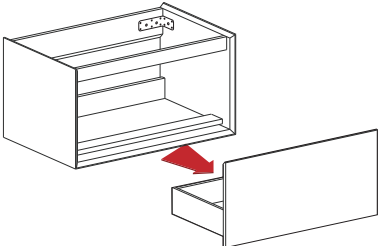
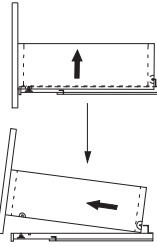
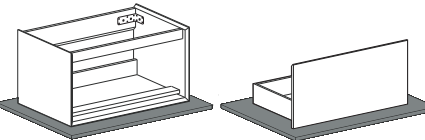


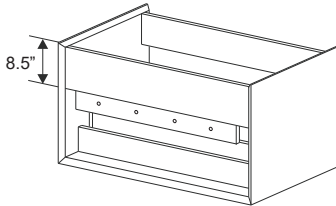
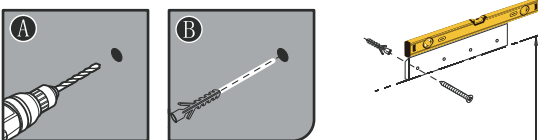
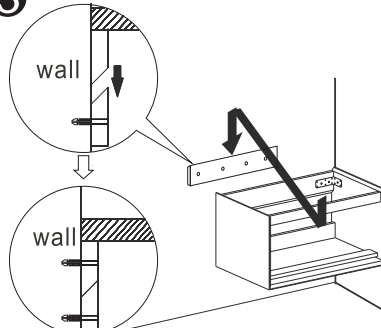
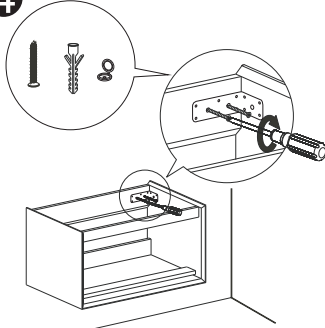
### Installation & Adjustment of door



# Installation Instructions

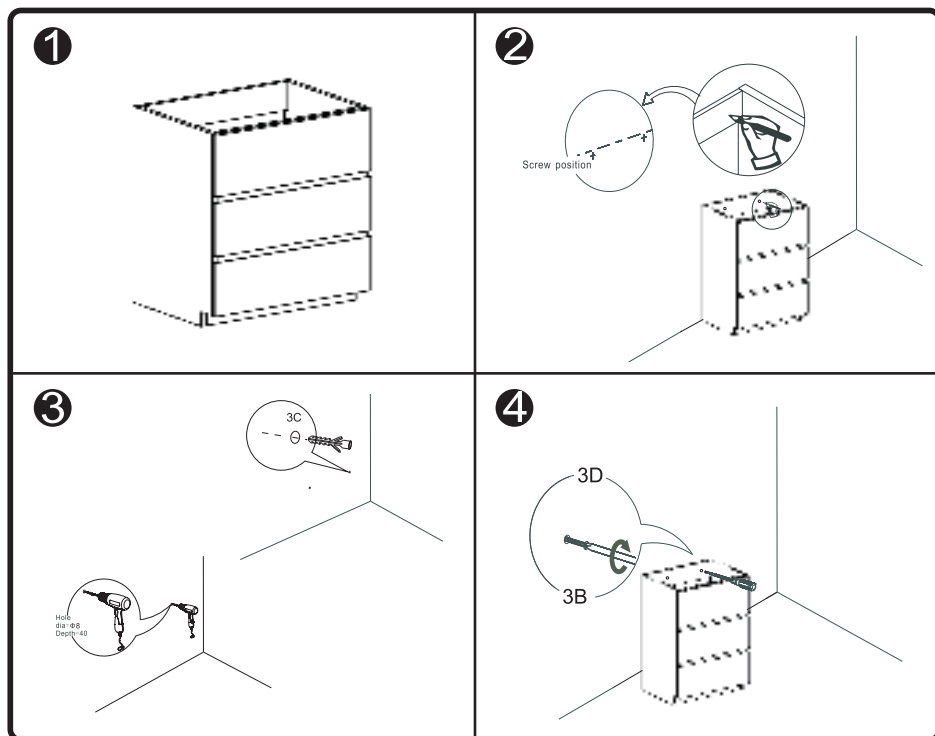
## Wall mounted system

<p><b>1</b></p>  <p><b>wooden drawer</b></p>	<p><b>2</b></p>  <p><b>metal box</b></p>
<p><b>2</b></p>  <p><b>wooden drawer</b></p>	<p><b>3</b></p>  <p><b>metal box</b></p>
<p><b>3</b></p>  <p><b>wooden drawer</b></p>	<p><b>4</b></p> 

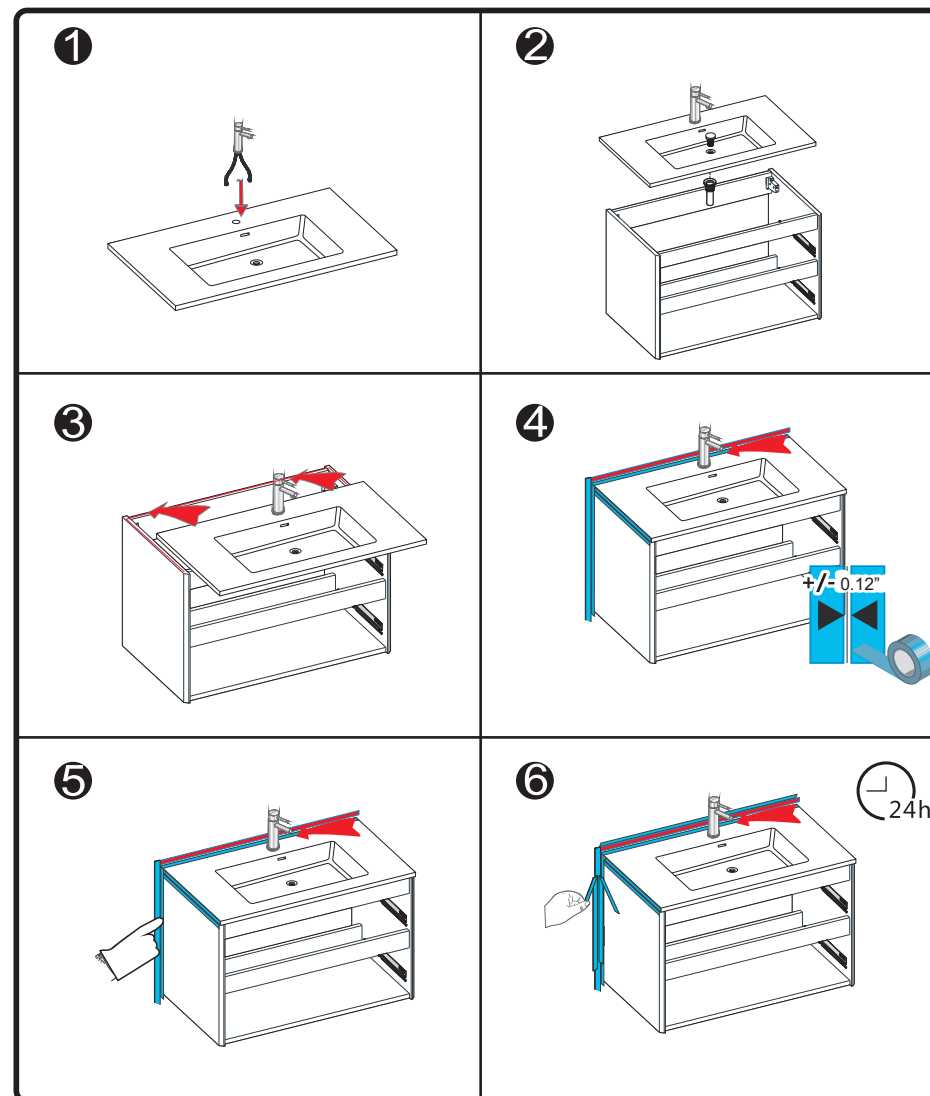
<p><b>1</b></p>  <p>8.5"</p> <p>33.5"</p> <p>8.5"</p> <p>Recommended height of installation</p>
<p><b>2</b></p>  <p>A</p> <p>B</p> <p>635mm</p>
<p><b>3</b></p>  <p>wall</p> <p>wall</p> <p><b>4</b></p>  <p>1</p> <p>2</p> <p>3</p>

# Installation Instructions

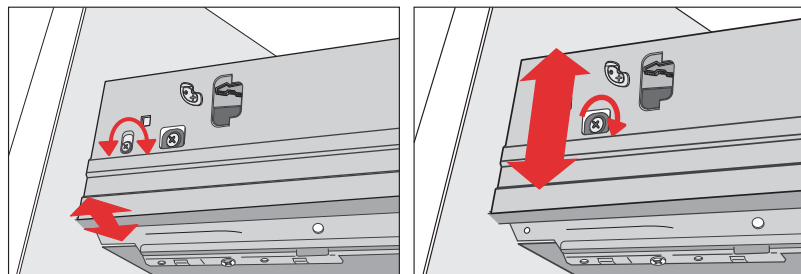
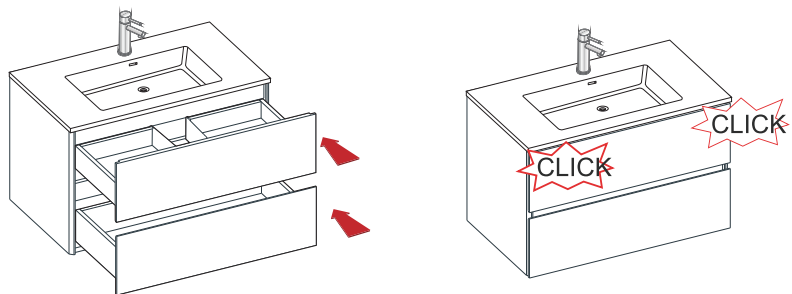
## Floor standing system



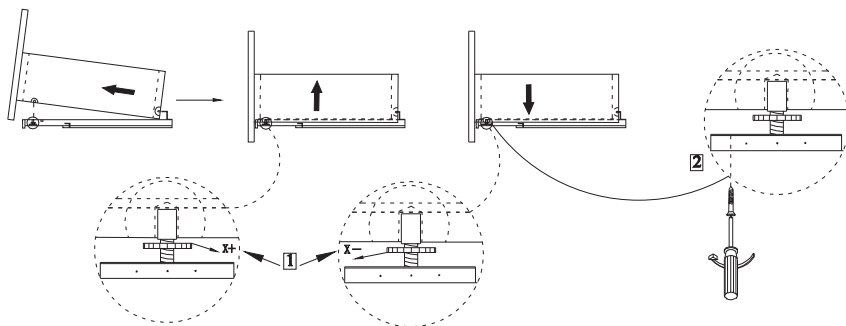
# Installation Instructions



## Installation & adjustment of drawer

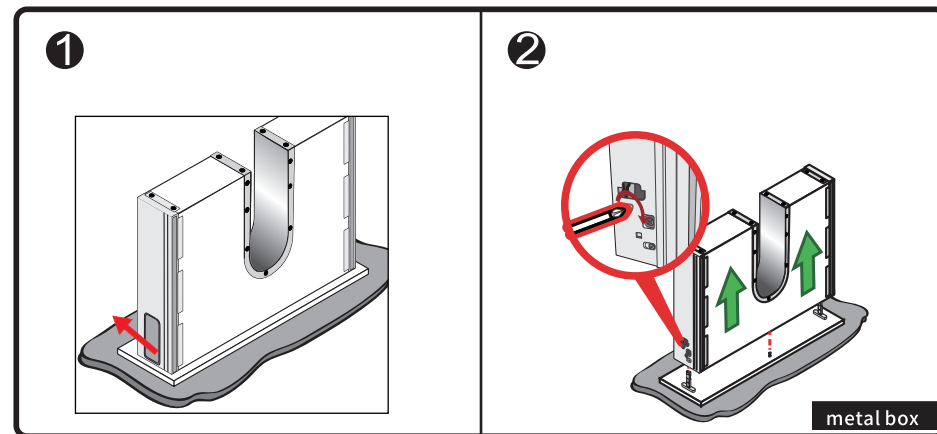


metal box

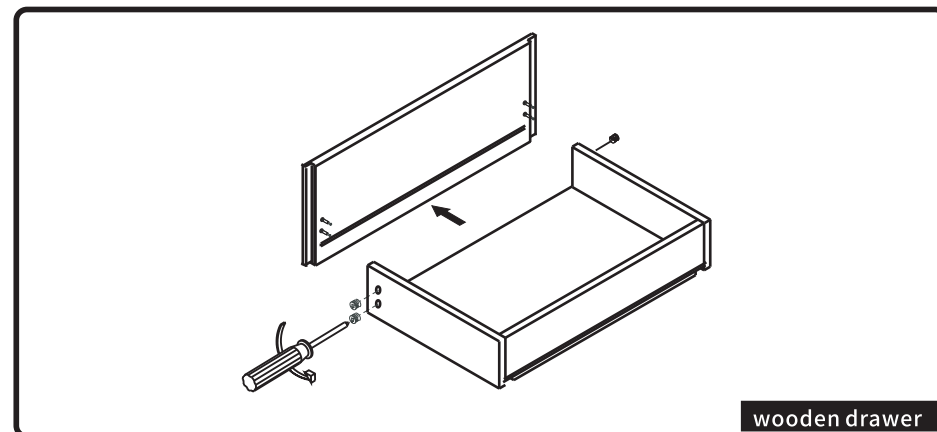


wooden drawer

## The way to take off the drawer



metal box



wooden drawer